

R&A



Rules of Golf

and the Rules of Amateur Status
2008 – 2011


ROLEX



The R&A is golf's world rules and development body and organiser of The Open Championship. It operates with the consent of more than 130 national and international, amateur and professional organisations, from over 120 countries and on behalf of an estimated 30 million golfers in Europe, Africa, Asia-Pacific and The Americas (outside the USA and Mexico). The United States Golf Association (USGA) is the game's governing body in the United States and Mexico.



Rules of Golf

as approved by
R&A Rules Limited and
The United States Golf Association

31st Edition
Effective 1 January 2008

© 2007 R&A Rules Limited and The United States Golf Association.
All rights reserved.



Contents

Foreword	5
Principal Changes	6
How to Use the Rule Book	17
A Quick Guide to the Rules of Golf	19
Section	
I Etiquette	26
II Definitions	30
III The Rules of Play	44
The Game	
1 The Game	44
2 Match Play	45
3 Stroke Play	47
Clubs and the Ball	
4 Clubs	49
5 The Ball	53
Player's Responsibilities	
6 The Player	54
7 Practice	60
8 Advice; Indicating Line of Play	62
9 Information as to Strokes Taken	63
Order of Play	
10 Order of Play	64
Teeing Ground	
11 Teeing Ground	67

Playing the Ball

12 Searching for and Identifying Ball	68
13 Ball Played as It Lies	70
14 Striking the Ball	73
15 Substituted Ball; Wrong Ball	75

The Putting Green

16 The Putting Green	77
17 The Flagstick	79

Ball Moved, Deflected or Stopped

18 Ball at Rest Moved	81
19 Ball in Motion Deflected or Stopped	84

Relief Situations and Procedures

20 Lifting, Dropping and Placing; Playing from Wrong Place	86
21 Cleaning Ball	93
22 Ball Assisting or Interfering with Play	93
23 Loose Impediments	94
24 Obstructions	95
25 Abnormal Ground Conditions, Embedded Ball and Wrong Putting Green	99
26 Water Hazards (Including Lateral Water Hazards)	103
27 Ball Lost or Out of Bounds; Provisional Ball	105
28 Ball Unplayable	107

Other Forms of Play

29 Threesomes and Foursomes	108
30 Three-Ball, Best-Ball and Four-Ball Match Play	109
31 Four-Ball Stroke Play	112
32 Bogey, Par and Stableford Competitions	114

Administration

33 The Committee	117
34 Disputes and Decisions	120

continued overleaf

Appendix I

Contents	122
Part A. Local Rules	124
Part B. Specimen Local Rules	126
Part C. Conditions of the Competition	141

Appendix II

Design of Clubs	150
-----------------------	-----

Appendix III

The Ball	162
----------------	-----

Rules of Amateur Status	163
--------------------------------------	-----

Index	180
--------------------	-----

R&A Rules Limited

With effect from 1st January 2004, the responsibilities and authority of The Royal and Ancient Golf Club of St Andrews in making, interpreting and giving decisions on the Rules of Golf and on the Rules of Amateur Status were transferred to R&A Rules Limited.

Gender

In the Rules of Golf, the gender used in relation to any person is understood to include both genders.

Golfers with Disabilities

The R&A publication entitled "A Modification of the Rules of Golf for Golfers with Disabilities", that contains permissible modifications of the Rules of Golf to accommodate disabled golfers, is available through the R&A.

Handicaps

The Rules of Golf do not legislate for the allocation and adjustment of handicaps. Such matters are within the jurisdiction of the National Union concerned and queries should be directed accordingly.

Foreword – To the 2008 Edition of the Rules of Golf

This book contains the Rules of Golf, which will be effective worldwide from 1st January 2008. It represents the culmination of four years work by R&A Rules Limited and the United States Golf Association (USGA), following consultation with other golfing bodies throughout the world.

Whilst it is considered important that the Rules be faithful to their historical principles, they must be clear, comprehensive and understandable, and the penalties must be appropriate. The Rules need regular review to ensure these goals are met and this set of Rules is the latest stage of this evolution. The principal changes are summarised on pages 6 to 10.

Both R&A Rules Limited and the USGA wish to promote respect for and adherence to the Rules and to preserve the integrity of golf at all levels.

In conclusion, we express our grateful thanks not only for the work done by our respective committees, but also to all those others whose varied contributions have made this revision possible.

W Michael B Brown
Chairman
Rules of Golf Committee
R&A Rules Limited

James T Bunch
Chairman
Rules of Golf Committee
United States Golf Association

September 2007

Principal Changes Introduced in the 2008 Code

General

The changes to the Rules generally fall into two broad categories: (1) those that improve the clarity of the Rules and (2) those that reduce the penalties in certain circumstances to ensure that they are proportionate.

Definitions

Advice

Amended to allow the exchange of information on distance, as it is not considered to be “advice”.

Lost Ball

Amended to clarify substituted ball issues and to include the concept of “stroke-and-distance” (see corresponding changes to Rules 18-1, 24-3, 25-1c, 26 and 27-1).

Matches

Definition withdrawn and replaced by two new Definitions, “Forms of Match Play” and “Forms of Stroke Play”.

Rules

Rule 1-2. Exerting Influence on Ball

Note added to clarify what constitutes a serious breach of Rule 1-2.

Rule 4-1. Form and Make of Clubs

Amended to reduce the penalty for carrying, but not using, a non-conforming club or a club in breach of Rule 4-2, from disqualification to the same as carrying more than 14 clubs.

Rule 12-1. Searching for Ball; Seeing Ball

Amended to include searching for a ball in an obstruction.

Rule 12-2. Identifying Ball

Amended to allow a player to lift his ball for identification in a hazard (see corresponding change to Rule 15-3, removing the exemption from penalty for playing a wrong ball in a hazard).

Rule 13-4. Ball in Hazard; Prohibited Actions

Exception 1 amended for clarification; Exception 2 amended to refer to Rule 13-2 and to eliminate the reference to assistance in the player's subsequent play of the hole; Exception 3 added to exempt a player from penalty under Rule 13-4a (testing the condition of the hazard) in certain circumstances.

Rule 14-3. Artificial Devices, Unusual Equipment and Unusual Use of Equipment

Amended to refer to the unusual use of equipment (see also new Exception on use of equipment in a traditionally accepted manner) and new Exception added for players with a legitimate medical reason to use an artificial device or unusual equipment.

Note added to clarify that a Local Rule may be introduced allowing the use of distance measuring devices; previously authorised by Decision only.

Rule 15-2. Substituted Ball

Exception added to avoid a "double penalty" when player incorrectly substitutes ball and plays from the wrong place (see corresponding change to Rule 20-7c).

Rule 15-3. Wrong Ball

Amended to remove the exemption from penalty for playing a wrong ball in a hazard (see corresponding change to Rule 12-2, allowing a player to lift a ball for identification in a hazard).

Rule 16-1e. Standing Astride or on Line of Putt

Exception added to apply no penalty if act was inadvertent or to avoid standing on another player's line of putt; previously authorised by Decision only.

Rule 18. Ball at Rest Moved

Penalty statement amended to avoid a "double penalty" when a player lifts his ball without authority and incorrectly substitutes ball (see related changes to Rules 15-2 and 20-7c).

Rule 18-1. Ball at Rest Moved; By Outside Agency

Note added to clarify procedure when ball might have been moved by an outside agency.

Rule 19-2. Ball in Motion Deflected or Stopped By Player, Partner, Caddie or Equipment

Amended to reduce the penalty in both match play and stroke play to one stroke.

Rule 20-3a. Placing and Replacing; By Whom and Where

Amended to reduce the penalty for having the wrong person place or replace a ball to one stroke.

Rule 20-7c. Playing from Wrong Place; Stroke Play

Note added to avoid a "double penalty" when player plays from the wrong place and incorrectly substitutes ball (see corresponding change to Rule 15-2).

Rule 24-1. Movable Obstruction

Amended to allow a flagstick, whether attended, removed or held up, to be moved when a ball is in motion.

Rule 24-3. Ball in Obstruction Not Found;

Rule 25-1c. Ball in Abnormal Ground Condition Not Found;

Rule 26. Water Hazards (Including Lateral Water Hazards);

Rule 27-1. Stroke and Distance; Ball Out of Bounds; Ball Not Found Within Five Minutes

In the above Rules, the term “reasonable evidence” has been replaced by “known or virtually certain” when determining whether a ball that has not been found may be treated as in an obstruction (Rule 24-3), an abnormal ground condition (Rule 25-1) or a water hazard (Rule 26-1). See corresponding changes to Definition of Lost Ball and Rule 18-1.

Appendix I

Seams of Cut Turf

New specimen Local Rule added.

Temporary Immovable Obstructions

Clause II of the specimen Local Rule amended to include an additional requirement that, for intervention relief to be granted, the temporary immovable obstruction must be on the player's line of play.

Appendix II

Adjustability

Amended to allow forms of adjustability other than weight adjustment, subject to evaluation by the R&A.

Clubhead; Plain in Shape

Amended to clarify meaning of “plain in shape” and list some of the features that are not permitted; previously detailed in guidelines on equipment Rules.

Clubhead; Dimensions, Volume and Moment of Inertia

Sections added on moment of inertia and putter head dimensions; previously detailed in guidelines on equipment Rules and test protocols.

Clubhead; Spring Effect and Dynamic Properties

New section added on spring effect. The limit, as detailed in the Pendulum Test Protocol, now applies to all clubs (except putters) and in all forms of the game; previously covered by condition of competition.

IT TAKES A LOT OF RULES TO
CREATE SUCH FREEDOM.



ROLEX





MORE THAN A GAME.
A WORK OF ART.

The game of golf doesn't just demand precision. It is precision. Like an intricate jigsaw puzzle, each rule can affect many others. To maintain this finely tuned mechanism, The R&A works to ensure that the Rules of Golf are based on integrity and respect. With dedication like this, the impossible seems effortless.



ROLEX





HOW CAN A
GAME OF MILLIMETRES
FEEL SO VAST?

The Rules of Golf are meticulous. Precise. Intensely detailed. Yet they serve a greater purpose: to create a game that's enjoyable and unencumbered. That feeling of freedom when you step on to a course is the result of over 250 years of hard work and dedication. Such attention to golf's finer points allows the rest of us to appreciate the beauty of the game.



ROLEX

OYSTER PERPETUAL
DAY-DATE
IN PLATINUM



ROLEX.COM

ROLEX

How to Use the Rule Book

It is understood that not everyone who has a copy of the Rules of Golf will read it from cover to cover. Most golfers only consult the Rule book when they have a Rules issue on the course that needs to be resolved. However, to ensure that you have a basic understanding of the Rules and that you play golf in a reasonable manner, it is recommended that you at least read the Quick Guide to the Rules of Golf and the Etiquette Section contained within this publication.

In terms of ascertaining the correct answer to Rules issues that arise on the course, use of the Rule book's Index should help you to identify the relevant Rule. For example, if a player accidentally moves his ball-marker in the process of lifting his ball on the putting green, identify the key words in the question, such as "ball-marker", "lifting ball" and "putting green" and look in the Index for these headings. The relevant Rule (Rule 20-1) is found under the headings "ball-marker" and "lifted ball" and a reading of this Rule will confirm the correct answer.

In addition to identifying key words and using the Index in the Rules of Golf, the following points will assist you in using the Rule book efficiently and accurately:

Understand the Words

The Rule book is written in a very precise and deliberate fashion. You should be aware of and understand the following differences in word use:

- "may" (e.g. the player may cancel the stroke) means the action is optional
- "should" (e.g. the marker should check the score) means the action is recommended but is not mandatory
- "must" (e.g. the player's clubs must conform) means it is an instruction and there is a penalty if it is not carried out
- "a ball" (e.g. drop a ball behind the point) means you may substitute another ball (e.g. Rules 26, 27 and 28)

- “the ball” (e.g. the player must lift the ball and drop it) means you must not substitute another ball (e.g. Rules 24-2 and 25-1)

Know the Definitions

There are over fifty defined terms (e.g. abnormal ground condition, through the green, etc) and these form the foundation around which the Rules of Play are written. A good knowledge of the defined terms (which are italicised throughout the book) is very important to the correct application of the Rules.

The Facts of the Case

To answer any question on the Rules you must consider the facts of the case in some detail. You should identify:

- The form of play (e.g. match play or stroke play, single, foursome or four-ball)
- Who is involved (e.g. the player, his partner or caddie, an outside agency)
- Where the incident occurred (e.g. on the teeing ground, in a bunker or water hazard, on the putting green)
- What actually happened
- The timing of the incident (e.g. has the player now returned his score card, has the competition closed)

Refer to the Book

As stated above, reference to the Rule book Index and the relevant Rule should provide the answer to the majority of questions that can arise on the course. If in doubt, play the course as you find it and play the ball as it lies. On returning to the Clubhouse, you can refer the matter to the Committee and it may be that reference to the “Decisions on the Rules of Golf” will assist in resolving any queries that are not entirely clear from the Rule book itself.

A Quick Guide to the Rules of Golf

As golf is a self-regulating game, all golfers should have a good understanding of the fundamental Rules, as contained in this guide. However, this guide is not a substitute for the Rules of Golf, which should be consulted whenever any doubt arises. For more information on the points covered in this guide, please refer to the relevant Rule.

General Points

Before commencing your round:

- Read the Local Rules on the score card or the notice board.
- Put an identification mark on your ball. Many golfers play the same brand and model of ball and if you can't identify your ball, it is considered lost. (Rules 12-2 and 27-1)
- Count your clubs. You are allowed a maximum of 14 clubs. (Rule 4-4)

During the round:

- Don't ask for "advice" from anyone except your partner (i.e. a player on your side) or your caddies. Don't give advice to anyone except your partner. You may ask for information on the Rules, distances and the position of hazards, the flagstick, etc. (Rule 8-1)
- Don't play any practice shots during play of a hole. (Rule 7-2)

At the end of your round:

- In match play, ensure the result of the match is posted.
- In stroke play, ensure that your score card is completed properly and return it as soon as possible. (Rule 6-6)

The Rules of Play

Tee Shot (Rule 11)

Play your tee shot from between, and not in front of, the tee-markers. You may play your tee shot from up to two club-lengths behind the front line of the tee-markers.

If you play your tee shot from outside this area, in match play there is no penalty, but your opponent may require you to replay your stroke; in stroke play you incur a two-stroke penalty and must correct the error by playing from within the correct area.

Playing the Ball (Rules 12, 13, 14 and 15)

If you think a ball is yours but cannot see your identification mark, with the permission of your marker or opponent, you may mark and lift the ball to identify it. (Rule 12-2)

Play the ball as it lies. Don't improve your lie, the area of your intended stance or swing, or your line of play by moving, bending or breaking anything fixed or growing, except in fairly taking your stance or making your swing. Don't improve your lie by pressing anything down. (Rule 13-2)

If your ball is in a bunker or a water hazard, don't touch the ground in either type of hazard, or touch water in the water hazard, with your hand or club before your downswing and don't move loose impediments. (Rule 13-4)

You must swing the club and make a stroke at the ball. It is not permissible to push, scrape or spoon the ball. (Rule 14-1)

If you play a wrong ball, in match play you lose the hole; in stroke play you incur a two-stroke penalty and you must then correct the mistake by playing the correct ball. (Rule 15-3)

On the Putting Green (Rules 16 and 17)

You may mark, lift and clean your ball on the putting green; always replace it on the exact spot. (Rule 16-1b)

You may repair ball marks and old hole plugs, but not any other damage, such as spike marks. (Rule 16-1c)

When making a stroke on the putting green, you should ensure that the flagstick is removed or attended. The flagstick may also be removed or attended when the ball lies off the putting green. (Rule 17)

Ball at Rest Moved (Rule 18)

Generally, when the ball is in play, if you accidentally cause your ball to move, lift it when not permitted or it moves after you have addressed

it, add a penalty stroke and replace your ball. However, see the exceptions under Rule 18-2a. (Rule 18-2)

If someone else moves your ball at rest or it is moved by another ball, replace it without penalty to you.

Ball in Motion Deflected or Stopped (Rule 19)

If a ball struck by you is deflected or stopped by you, your partner, your caddie or your equipment, add a penalty stroke and the ball is played as it lies. (Rule 19-2)

If a ball struck by you is deflected or stopped by another ball at rest, there is no penalty and the ball is played as it lies, except in stroke play where you incur a two-stroke penalty if your ball and the other ball were on the putting green before you played. (Rule 19-5a)

Lifting, Dropping and Placing the Ball (Rule 20)

Before lifting a ball that has to be replaced (e.g. when the ball is lifted on the putting green to clean it), the position of the ball must be marked. (Rule 20-1)

When the ball is being lifted in order to drop or place it in another position (e.g. dropping within two club-lengths under the unplayable ball Rule), it is not mandatory to mark its position although it is recommended that you do so.

When dropping, stand upright, hold the ball at shoulder height and arm's length and drop it.

A dropped ball must be re-dropped if it rolls to a position where there is interference from the condition from which free relief is being taken (e.g. an immovable obstruction), if it comes to rest more than two club-lengths from where it was dropped, or if it comes to rest nearer the hole than its original position, the nearest point of relief or where the ball last crossed the margin of a water hazard.

There are nine situations in total when a dropped ball must be re-dropped and they are covered in Rule 20-2c.

If a ball dropped for a second time rolls into any of these positions, place it where it first struck the course when re-dropped. (Rule 20-2c)

Ball Assisting or Interfering with Play (Rule 22)

You may lift your ball or have any other ball lifted if you think the ball might assist another player.

You must not agree to leave a ball in position in order to assist another player.

You may have any ball lifted if it might interfere with your play.

A ball that is lifted due to it assisting or interfering with play must not be cleaned, unless it is lifted from the putting green.

Loose Impediments (Rule 23)

You may move a loose impediment (i.e. natural loose objects such as stones, detached leaves and twigs) unless the loose impediment and your ball are in the same hazard. If you remove a loose impediment and this causes your ball to move, the ball must be replaced and (unless your ball was on the putting green) you incur a one-stroke penalty. (Rule 23-1)

Movable Obstructions (Rule 24-1)

Movable obstructions (i.e. artificial movable objects such as rakes, tin cans, etc.) located anywhere may be moved without penalty. If the ball moves as a result, it must be replaced without penalty.

If a ball is on a movable obstruction, the ball may be lifted, the obstruction removed and the ball dropped, without penalty, on the spot directly under where the ball lay on the obstruction, except that on the putting green, the ball is placed on that spot.

Immovable Obstructions and Abnormal Ground Conditions (Rules 24-2 and 25-1)

An immovable obstruction is an artificial immovable object such as a building or an artificially-surfaced road (but check the Local Rules for the status of roads and paths).

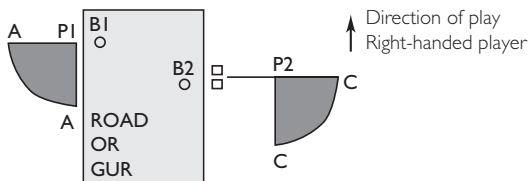
An abnormal ground condition is either casual water, ground under repair or a hole, cast or runway made by a burrowing animal, a reptile or a bird.

Except when the ball is in a water hazard, free relief is available from immovable obstructions and abnormal ground conditions when the condition physically interferes with the lie of the ball, your stance or your swing. You may lift the ball and drop it within one club-length of the “nearest point of relief” (see Definition of “Nearest Point of Relief”), but not nearer the hole than the nearest point of relief (see diagram below).

If the ball is on the putting green, it is placed at the nearest point of relief. There is no relief for intervention on your line of play unless both your ball and the condition are on the putting green.

As an additional option when the ball is in a bunker, you may take relief from the condition behind the bunker under penalty of one stroke.

The following diagram illustrates the term “nearest point of relief” in Rules 24-2 and 25-1 in the case of a right-handed player:



B1 = position of ball on road, in ground under repair (GUR), etc.

P1 = nearest point of relief

P1-A-A = shaded area within which ball to be dropped, radius of one club length from P1, measured with any club

B2 = position of ball on road, in ground under repair (GUR), etc.

□— = notional stance required to play at P2 with club with which player would expect to play the stroke

P2 = nearest point of relief

P2-C-C = shaded area within which ball to be dropped, radius of one club-length from P2, measured with any club

Water Hazards (Rule 26)

If your ball is in a water hazard (yellow stakes and/or lines) you may play the ball as it lies or, under penalty of one stroke:

- play a ball from where you hit the ball into the hazard, or
- drop any distance behind the water hazard keeping a straight line between the hole, the point where the ball last crossed the margin of the water hazard and the spot on which the ball is dropped.

If your ball is in a lateral water hazard (red stakes and/or lines), in addition to the options for a ball in a water hazard (see above), under penalty of one stroke, you may drop within two club-lengths of, and not nearer the hole than:

- the point where the ball last crossed the margin of the hazard, or
- a point on the opposite side of the hazard equidistant to the hole from the point where the ball last crossed the margin.

Ball Lost or Out of Bounds; Provisional Ball (Rule 27)

Check the Local Rules on the score card to identify the boundaries of the course.

If your ball is lost outside a water hazard or out of bounds you must play another ball from the spot where the last shot was played, under penalty of one stroke, i.e. stroke and distance.

You are allowed 5 minutes to search for a ball, after which, if it is not found or identified, it is lost.

If, after playing a shot, you think your ball may be lost outside a water hazard or out of bounds you should play a 'provisional ball'. You must state that it is a provisional ball and play it before you go forward to search for the original ball.

If it transpires that the original ball is lost (other than in a water hazard) or out of bounds, you must continue with the provisional ball, under penalty of one stroke. If the original ball is found in bounds, you must continue play of the hole with it, and must stop play with the provisional ball.

Ball Unplayable (Rule 28)

If your ball is in a water hazard, the unplayable ball Rule does not apply and you must proceed under the water hazard Rule if taking relief. Elsewhere on the course, if you believe your ball is unplayable, you may under penalty of one stroke:

- play a ball from where the last shot was played, or
- drop a ball any distance behind the point where the ball lay keeping a straight line between the hole, the point where the ball lay and the spot on which the ball is dropped, or
- drop a ball within two club-lengths of where the ball lies not nearer the hole.

If your ball is in a bunker you may proceed as above, except that if you are dropping back on a line or within two club-lengths, you must drop in the bunker.

Etiquette

If you have not already done so, you should also read the Etiquette Section – not more Rules as such, but a practical guide to getting around the course safely, in good time, with consideration for others and having taken good care of the course.

The Rules of Golf

Section I – Etiquette; Behaviour on the Course

Introduction

This section provides guidelines on the manner in which the game of golf should be played. If they are followed, all players will gain maximum enjoyment from the game. The overriding principle is that consideration should be shown to others on the course at all times.

The Spirit of the Game

Golf is played, for the most part, without the supervision of a referee or umpire. The game relies on the integrity of the individual to show consideration for other players and to abide by the Rules. All players should conduct themselves in a disciplined manner, demonstrating courtesy and sportsmanship at all times, irrespective of how competitive they may be. This is the spirit of the game of golf.

Safety

Players should ensure that no one is standing close by or in a position to be hit by the club, the ball or any stones, pebbles, twigs or the like when they make a stroke or practice swing.

Players should not play until the players in front are out of range.

Players should always alert greenstaff nearby or ahead when they are about to make a stroke that might endanger them.

If a player plays a ball in a direction where there is a danger of hitting someone, he should immediately shout a warning. The traditional word of warning in such situations is “fore”.

Consideration for Other Players

No Disturbance or Distraction

Players should always show consideration for other players on the course and should not disturb their play by moving, talking or making unnecessary noise.

Players should ensure that any electronic device taken onto the course does not distract other players.

On the teeing ground, a player should not tee his ball until it is his turn to play.

Players should not stand close to or directly behind the ball, or directly behind the hole, when a player is about to play.

On the Putting Green

On the putting green, players should not stand on another player's line of putt or, when he is making a stroke, cast a shadow over his line of putt.

Players should remain on or close to the putting green until all other players in the group have holed out.

Scoring

In stroke play, a player who is acting as a marker should, if necessary, on the way to the next tee, check the score with the player concerned and record it.

Pace of Play

Play at Good Pace and Keep Up

Players should play at a good pace. The Committee may establish pace of play guidelines that all players should follow.

It is a group's responsibility to keep up with the group in front. If it loses a clear hole and it is delaying the group behind, it should invite the group behind to play through, irrespective of the number of players in that group. Where a group has not lost a clear hole, but it is apparent that the group behind can play faster, it should invite the faster moving group to play through.

Be Ready to Play

Players should be ready to play as soon as it is their turn to play. When playing on or near the putting green, they should leave their bags or carts in such a position as will enable quick movement off the green and towards the next tee. When the play of a hole has been completed, players should immediately leave the putting green.

Lost Ball

If a player believes his ball may be lost outside a water hazard or is out of bounds, to save time, he should play a provisional ball.

Players searching for a ball should signal the players in the group behind them to play through as soon as it becomes apparent that the ball will not easily be found. They should not search for five minutes before doing so. Having allowed the group behind to play through, they should not continue play until that group has passed and is out of range.

Priority on the Course

Unless otherwise determined by the Committee, priority on the course is determined by a group's pace of play. Any group playing a whole round is entitled to pass a group playing a shorter round. The term "group" includes a single player.

Care of the Course

Bunkers

Before leaving a bunker, players should carefully fill up and smooth over all holes and footprints made by them and any nearby made by others. If a rake is within reasonable proximity of the bunker, the rake should be used for this purpose.

Repair of Divots, Ball-Marks and Damage by Shoes

Players should carefully repair any divot holes made by them and any damage to the putting green made by the impact of a ball (whether or not made by the player himself). On completion of the hole by all

players in the group, damage to the putting green caused by golf shoes should be repaired.

Preventing Unnecessary Damage

Players should avoid causing damage to the course by removing divots when taking practice swings or by hitting the head of a club into the ground, whether in anger or for any other reason.

Players should ensure that no damage is done to the putting green when putting down bags or the flagstick.

In order to avoid damaging the hole, players and caddies should not stand too close to the hole and should take care during the handling of the flagstick and the removal of a ball from the hole. The head of a club should not be used to remove a ball from the hole.

Players should not lean on their clubs when on the putting green, particularly when removing the ball from the hole.

The flagstick should be properly replaced in the hole before the players leave the putting green.

Local notices regulating the movement of golf carts should be strictly observed.

Conclusion; Penalties for Breach

If players follow the guidelines in this section, it will make the game more enjoyable for everyone.

If a player consistently disregards these guidelines during a round or over a period of time to the detriment of others, it is recommended that the Committee considers taking appropriate disciplinary action against the offending player. Such action may, for example, include prohibiting play for a limited time on the course or in a certain number of competitions. This is considered to be justifiable in terms of protecting the interests of the majority of golfers who wish to play in accordance with these guidelines.

In the case of a serious breach of etiquette, the Committee may disqualify a player under Rule 33-7.

Section II – Definitions

The Definitions are listed alphabetically and, in the *Rules* themselves, defined terms are in *italics*.

Abnormal Ground Conditions

An “*abnormal ground condition*” is any *casual water, ground under repair* or hole, cast or runway on the course made by a *burrowing animal, a reptile* or a bird.

Addressing the Ball

A player has “*addressed the ball*” when he has taken his *stance* and has also grounded his club, except that in a *hazard* a player has *addressed the ball* when he has taken his *stance*.

Advice

“*Advice*” is any counsel or suggestion that could influence a player in determining his play, the choice of a club or the method of making a *stroke*.

Information on the *Rules*, distance or matters of public information, such as the position of *hazards* or the *flagstick* on the *putting green*, is not *advice*.

Ball Deemed to Move

See “*Move or Moved*”.

Ball Holed

See “*Holed*”.

Ball Lost

See “*Lost Ball*”.

Ball in Play

A ball is “*in play*” as soon as the player has made a *stroke* on the *teeing ground*. It remains *in play* until it is *holed*, except when it is *lost, out of bounds* or lifted, or another ball has been *substituted*, whether or not the substitution is permitted; a ball so *substituted* becomes the *ball in play*.

If a ball is played from outside the *teeing ground* when the player is starting play of a hole, or when attempting to correct this mistake, the ball is not *in play* and Rule 11-4 or 11-5 applies. Otherwise, *ball in play* includes a ball played from outside the *teeing ground* when the player elects or is required to play his next *stroke* from the *teeing ground*.

Exception in match play: *Ball in play* includes a ball played by the player from outside the *teeing ground* when starting play of a hole if the opponent does not require the *stroke* to be cancelled in accordance with Rule 11-4a.

Best-Ball

See “Forms of Match Play”.

Bunker

A “*bunker*” is a *hazard* consisting of a prepared area of ground, often a hollow, from which turf or soil has been removed and replaced with sand or the like.

Grass-covered ground bordering or within a *bunker*, including a stacked turf face (whether grass-covered or earthen), is not part of the *bunker*. A wall or lip of the *bunker* not covered with grass is part of the *bunker*. The margin of a *bunker* extends vertically downwards, but not upwards.

A ball is in a *bunker* when it lies in or any part of it touches the *bunker*.

Burrowing Animal

A “*burrowing animal*” is an animal (other than a worm, insect or the like) that makes a hole for habitation or shelter, such as a rabbit, mole, groundhog, gopher or salamander.

Note: A hole made by a non-burrowing animal, such as a dog, is not an *abnormal ground condition* unless marked or declared as *ground under repair*.

Caddie

A “*caddie*” is one who assists the player in accordance with the *Rules*, which may include carrying or handling the player’s clubs during play.

When one *caddie* is employed by more than one player, he is always deemed to be the *caddie* of the player sharing the *caddie* whose ball (or whose *partner's* ball) is involved, and *equipment* carried by him is deemed to be that player's *equipment*, except when the *caddie* acts upon specific directions of another player (or the *partner* of another player) sharing the *caddie*, in which case he is considered to be that other player's *caddie*.

Casual Water

"*Casual water*" is any temporary accumulation of water on the *course* that is not in a *water hazard* and is visible before or after the player takes his *stance*. Snow and natural ice, other than frost, are either *casual water* or *loose impediments*, at the option of the player. Manufactured ice is an *obstruction*. Dew and frost are not *casual water*. A ball is in *casual water* when it lies in or any part of it touches the *casual water*.

Committee

The "*Committee*" is the committee in charge of the competition or, if the matter does not arise in a competition, the committee in charge of the *course*.

Competitor

A "*competitor*" is a player in a stroke play competition. A "*fellow-competitor*" is any person with whom the *competitor* plays. Neither is *partner* of the other.

In stroke play *foursome* and *four-ball* competitions, where the context so admits, the word "*competitor*" or "*fellow-competitor*" includes his *partner*.

Course

The "*course*" is the whole area within any boundaries established by the *Committee* (see Rule 33-2).

Equipment

"*Equipment*" is anything used, worn or carried by the player or anything carried for the player by his *partner* or either of their *caddies*, except

any ball he has played at the hole being played and any small object, such as a coin or a tee, when used to mark the position of a ball or the extent of an area in which a ball is to be dropped. *Equipment* includes a golf cart, whether or not motorised.

Note 1: A ball played at the hole being played is *equipment* when it has been lifted and not put back into play.

Note 2: When a golf cart is shared by two or more players, the cart and everything in it are deemed to be the *equipment* of one of the players sharing the cart.

If the cart is being moved by one of the players (or the *partner* of one of the players) sharing it, the cart and everything in it are deemed to be that player's *equipment*. Otherwise, the cart and everything in it are deemed to be the *equipment* of the player sharing the cart whose ball (or whose *partner's* ball) is involved.

Fellow-Competitor

See "*Competitor*".

Flagstick

The "*flagstick*" is a movable straight indicator, with or without bunting or other material attached, centred in the *hole* to show its position. It must be circular in cross-section. Padding or shock absorbent material that might unduly influence the movement of the ball is prohibited.

Forecaddie

A "*forecaddie*" is one who is employed by the *Committee* to indicate to players the position of balls during play. He is an *outside agency*.

Forms of Match Play

Single: A match in which one player plays against another player.

Threesome: A match in which one player plays against two other players, and each *side* plays one ball.

Foursome: A match in which two players play against two other players, and each *side* plays one ball.

Three-Ball: Three players play a match against one another, each playing his own ball. Each player is playing two distinct matches.

Best-Ball: A match in which one player plays against the better ball of two other players or the best ball of three other players.

Four-Ball: A match in which two players play their better ball against the better ball of two other players.

Forms of Stroke Play

Individual: A competition in which each *competitor* plays as an individual.

Foursome: A competition in which two *competitors* play as *partners* and play one ball.

Four-Ball: A competition in which two *competitors* play as *partners*, each playing his own ball. The lower score of the *partners* is the score for the hole. If one *partner* fails to complete the play of a hole, there is no penalty.

Note: For bogey, par and Stableford competitions, see Rule 32-1.

Four-Ball

See “Forms of Match Play” and “Forms of Stroke Play”.

Foursome

See “Forms of Match Play” and “Forms of Stroke Play”.

Ground Under Repair

“Ground under repair” is any part of the *course* so marked by order of the *Committee* or so declared by its authorised representative. All ground and any grass, bush, tree or other growing thing within the *ground under repair* are part of the *ground under repair*. *Ground under repair* includes material piled for removal and a hole made by a greenkeeper, even if not so marked. Grass cuttings and other material left on the *course* that have been abandoned and are not intended to be removed are not *ground under repair* unless so marked.

When the margin of *ground under repair* is defined by stakes, the stakes are inside the *ground under repair*, and the margin of the *ground under repair* is defined by the nearest outside points of the stakes at ground level. When both stakes and lines are used to indicate *ground under repair*, the stakes identify the *ground under repair* and the lines define

the margin of the *ground under repair*. When the margin of *ground under repair* is defined by a line on the ground, the line itself is in the *ground under repair*. The margin of *ground under repair* extends vertically downwards but not upwards.

A ball is in *ground under repair* when it lies in or any part of it touches the *ground under repair*.

Stakes used to define the margin of or identify *ground under repair* are *obstructions*.

Note: The *Committee* may make a Local Rule prohibiting play from *ground under repair* or an environmentally-sensitive area defined as *ground under repair*.

Hazards

A “*hazard*” is any *bunker* or *water hazard*.

Hole

The “*hole*” must be $4\frac{1}{4}$ inches (108 mm) in diameter and at least 4 inches (101.6 mm) deep. If a lining is used, it must be sunk at least 1 inch (25.4 mm) below the *putting green* surface, unless the nature of the soil makes it impracticable to do so; its outer diameter must not exceed $4\frac{1}{4}$ inches (108 mm).

Holed

A ball is “*holed*” when it is at rest within the circumference of the *hole* and all of it is below the level of the lip of the *hole*.

Honour

The player who is to play first from the *teeing ground* is said to have the “*honour*”.

Lateral Water Hazard

A “*lateral water hazard*” is a *water hazard* or that part of a *water hazard* so situated that it is not possible, or is deemed by the *Committee* to be impracticable, to drop a ball behind the *water hazard* in accordance with Rule 26-lb. All ground and water within the margin of a *lateral water hazard* are part of the *lateral water hazard*.

When the margin of a *lateral water hazard* is defined by stakes, the stakes are inside the *lateral water hazard*, and the margin of the *hazard* is defined by the nearest outside points of the stakes at ground level. When both stakes and lines are used to indicate a *lateral water hazard*, the stakes identify the *hazard* and the lines define the *hazard* margin. When the margin of a *lateral water hazard* is defined by a line on the ground, the line itself is in the *lateral water hazard*. The margin of a *lateral water hazard* extends vertically upwards and downwards. A ball is in a *lateral water hazard* when it lies in or any part of it touches the *lateral water hazard*.

Stakes used to define the margin of or identify a *lateral water hazard* are *obstructions*.

Note 1: That part of a *water hazard* to be played as a *lateral water hazard* must be distinctively marked. Stakes or lines used to define the margin of or identify a *lateral water hazard* must be red.

Note 2: The *Committee* may make a Local Rule prohibiting play from an environmentally-sensitive area defined as a *lateral water hazard*.

Note 3: The *Committee* may define a *lateral water hazard* as a *water hazard*.

Line of Play

The "*line of play*" is the direction that the player wishes his ball to take after a *stroke*, plus a reasonable distance on either side of the intended direction. The *line of play* extends vertically upwards from the ground, but does not extend beyond the *hole*.

Line of Putt

The "*line of putt*" is the line that the player wishes his ball to take after a *stroke* on the *putting green*. Except with respect to Rule 16-1e, the *line of putt* includes a reasonable distance on either side of the intended line. The *line of putt* does not extend beyond the *hole*.

Loose Impediments

“*Loose impediments*” are natural objects, including:

- stones, leaves, twigs, branches and the like,
- dung, and
- worms, insects and the like, and the casts and heaps made by them, provided they are not:
 - fixed or growing,
 - solidly embedded, or
 - adhering to the ball.

Sand and loose soil are *loose impediments* on the *putting green*, but not elsewhere.

Snow and natural ice, other than frost, are either *casual water* or *loose impediments*, at the option of the player.

Dew and frost are not *loose impediments*.

Lost Ball

A ball is deemed “*lost*” if:

- a. It is not found or identified as his by the player within five minutes after the player’s *side* or his or their *caddies* have begun to search for it; or
- b. The player has made a *stroke* at a *provisional ball* from the place where the original ball is likely to be or from a point nearer the *hole* than that place (see Rule 27-2b); or
- c. The player has put another ball into play under penalty of stroke and distance (see Rule 27-1a); or
- d. The player has put another ball into play because it is known or virtually certain that the ball, which has not been found, has been moved by an *outside agency* (see Rule 18-1), is in an *obstruction* (see Rule 24-3), is in an *abnormal ground condition* (see Rule 25-1c) or is in a *water hazard* (see Rule 26-1); or
- e. The player has made a *stroke* at a *substituted ball*.

Time spent in playing a *wrong ball* is not counted in the five-minute period allowed for search.

Marker

A “*marker*” is one who is appointed by the *Committee* to record a *competitor’s* score in stroke play. He may be a *fellow-competitor*. He is not a *referee*.

Move or Moved

A ball is deemed to have “*moved*” if it leaves its position and comes to rest in any other place.

Nearest Point of Relief

The “*nearest point of relief*” is the reference point for taking relief without penalty from interference by an immovable *obstruction* (Rule 24-2), an *abnormal ground condition* (Rule 25-1) or a *wrong putting green* (Rule 25-3).

It is the point on the *course* nearest to where the ball lies:

- (i) that is not nearer the *hole*, and
- (ii) where, if the ball were so positioned, no interference by the condition from which relief is sought would exist for the *stroke* the player would have made from the original position if the condition were not there.

Note: In order to determine the *nearest point of relief* accurately, the player should use the club with which he would have made his next *stroke* if the condition were not there to simulate the *address* position, direction of play and swing for such a *stroke*.

Observer

An “*observer*” is one who is appointed by the *Committee* to assist a *referee* to decide questions of fact and to report to him any breach of a *Rule*. An *observer* should not attend the *flagstick*, stand at or mark the position of the *hole*, or lift the ball or mark its position.

Obstructions

An “*obstruction*” is anything artificial, including the artificial surfaces and sides of roads and paths and manufactured ice, except:

- a. Objects defining *out of bounds*, such as walls, fences, stakes and railings;

- b. Any part of an immovable artificial object that is *out of bounds*; and
- c. Any construction declared by the *Committee* to be an integral part of the *course*.

An *obstruction* is a movable *obstruction* if it may be moved without unreasonable effort, without unduly delaying play and without causing damage. Otherwise, it is an immovable *obstruction*.

Note: The *Committee* may make a Local Rule declaring a movable *obstruction* to be an immovable *obstruction*.

Out of Bounds

“*Out of bounds*” is beyond the boundaries of the *course* or any part of the *course* so marked by the *Committee*.

When *out of bounds* is defined by reference to stakes or a fence or as being beyond stakes or a fence, the *out of bounds* line is determined by the nearest inside points at ground level of the stakes or fence posts (excluding angled supports). When both stakes and lines are used to indicate *out of bounds*, the stakes identify *out of bounds* and the lines define *out of bounds*. When *out of bounds* is defined by a line on the ground, the line itself is *out of bounds*. The *out of bounds* line extends vertically upwards and downwards.

A ball is *out of bounds* when all of it lies *out of bounds*. A player may stand *out of bounds* to play a ball lying within bounds.

Objects defining *out of bounds* such as walls, fences, stakes and railings are not *obstructions* and are deemed to be fixed. Stakes identifying *out of bounds* are not *obstructions* and are deemed to be fixed.

Note 1: Stakes or lines used to define *out of bounds* should be white.

Note 2: A *Committee* may make a Local Rule declaring stakes identifying but not defining *out of bounds* to be movable *obstructions*.

Outside Agency

In match play, an “*outside agency*” is any agency other than either the player’s or opponent’s *side*, any *caddie* of either *side*, any ball played by either *side* at the hole being played or any *equipment* of either *side*.

In stroke play, an *outside agency* is any agency other than the *competitor's side*, any *caddie* of the *side*, any ball played by the *side* at the hole being played or any *equipment* of the *side*.

An *outside agency* includes a *referee*, a *marker*, an *observer* and a *forecaddie*. Neither wind nor water is an *outside agency*.

Partner

A "*partner*" is a player associated with another player on the same *side*. In *threesome*, *foursome*, *best-ball* or *four-ball* play, where the context so admits, the word "player" includes his *partner* or *partners*.

Penalty Stroke

A "*penalty stroke*" is one added to the score of a player or *side* under certain *Rules*. In a *threesome* or *foursome*, *penalty strokes* do not affect the order of play.

Provisional Ball

A "*provisional ball*" is a ball played under Rule 27-2 for a ball that may be *lost* outside a *water hazard* or may be *out of bounds*.

Putting Green

The "*putting green*" is all ground of the hole being played that is specially prepared for putting or otherwise defined as such by the *Committee*. A ball is on the *putting green* when any part of it touches the *putting green*.

R&A

The "R&A" means R&A Rules Limited.

Referee

A "*referee*" is one who is appointed by the *Committee* to accompany players to decide questions of fact and apply the *Rules*. He must act on any breach of a *Rule* that he observes or is reported to him.

A *referee* should not attend the *flagstick*, stand at or mark the position of the *hole*, or lift the ball or mark its position.

Rub of the Green

A “*rub of the green*” occurs when a ball in motion is accidentally deflected or stopped by any *outside agency* (see Rule 19-1).

Rule or Rules

The term “*Rule*” includes:

- a. The Rules of Golf and their interpretations as contained in “Decisions on the Rules of Golf”;
- b. Any Conditions of Competition established by the *Committee* under Rule 33-1 and Appendix I;
- c. Any Local Rules established by the *Committee* under Rule 33-8a and Appendix I; and
- d. The specifications on clubs and the ball in Appendices II and III and their interpretations as contained in “A Guide to the Rules on Clubs and Balls”.

Side

A “*side*” is a player, or two or more players who are *partners*.

Single

See “*Forms of Match Play*” and “*Forms of Stroke Play*”.

Stance

Taking the “*stance*” consists in a player placing his feet in position for and preparatory to making a *stroke*.

Stipulated Round

The “*stipulated round*” consists of playing the holes of the *course* in their correct sequence, unless otherwise authorised by the *Committee*. The number of holes in a *stipulated round* is 18 unless a smaller number is authorised by the *Committee*. As to extension of *stipulated round* in match play, see Rule 2-3.

Stroke

A “*stroke*” is the forward movement of the club made with the intention of striking at and moving the ball, but if a player checks his

downswing voluntarily before the clubhead reaches the ball he has not made a *stroke*.

Substituted Ball

A “*substituted ball*” is a ball put into play for the original ball that was either *in play, lost, out of bounds* or *lifted*.

Tee

A “*tee*” is a device designed to raise the ball off the ground. It must not be longer than 4 inches (101.6 mm) and it must not be designed or manufactured in such a way that it could indicate the *line of play* or influence the movement of the ball.

Teeing Ground

The “*teeing ground*” is the starting place for the hole to be played. It is a rectangular area two club-lengths in depth, the front and the sides of which are defined by the outside limits of two tee-markers. A ball is outside the *teeing ground* when all of it lies outside the *teeing ground*.

Three-Ball

See “*Forms of Match Play*”.

Threesome

See “*Forms of Match Play*”.

Through the Green

“*Through the green*” is the whole area of the *course* except:

- a. The *teeing ground* and *putting green* of the hole being played; and
- b. All *hazards* on the *course*.

Water Hazard

A “*water hazard*” is any sea, lake, pond, river, ditch, surface drainage ditch or other open water course (whether or not containing water) and anything of a similar nature on the *course*. All ground and water within the margin of a *water hazard* are part of the *water hazard*.

When the margin of a *water hazard* is defined by stakes, the stakes are inside the *water hazard*, and the margin of the *hazard* is defined by the

nearest outside points of the stakes at ground level. When both stakes and lines are used to indicate a *water hazard*, the stakes identify the *hazard* and the lines define the *hazard margin*. When the margin of a *water hazard* is defined by a line on the ground, the line itself is in the *water hazard*. The margin of a *water hazard* extends vertically upwards and downwards.

A ball is in a *water hazard* when it lies in or any part of it touches the *water hazard*.

Stakes used to define the margin of or identify a *water hazard* are *obstructions*.

Note 1: Stakes or lines used to define the margin of or identify a *water hazard* must be yellow.

Note 2: The *Committee* may make a Local Rule prohibiting play from an environmentally-sensitive area defined as a *water hazard*.

Wrong Ball

A “*wrong ball*” is any ball other than the player’s:

- *ball in play*;
 - *provisional ball*; or
 - second ball played under Rule 3-3 or Rule 20-7c in stroke play;
- and includes:

- another player’s ball;
- an abandoned ball; and
- the player’s original ball when it is no longer *in play*.

Note: *Ball in play* includes a ball *substituted* for the *ball in play*, whether or not the substitution is permitted.

Wrong Putting Green

A “*wrong putting green*” is any *putting green* other than that of the hole being played. Unless otherwise prescribed by the *Committee*, this term includes a practice *putting green* or pitching green on the *course*.

Section III – The Rules of Play

The Game

Rule I

The Game

Definitions

All defined terms are in *italics* and are listed alphabetically in the Definitions section – see pages 30-43.

I-1. General

The Game of Golf consists of playing a ball with a club from the *teeing ground* into the *hole* by a *stroke* or successive *strokes* in accordance with the *Rules*.

I-2. Exerting Influence on Ball

A player or *caddie* must not take any action to influence the position or the movement of a ball except in accordance with the *Rules*.

(Removal of loose impediment – see Rule 23-1)

(Removal of movable obstruction – see Rule 24-1)

*** PENALTY FOR BREACH OF RULE I-2:**

Match play – Loss of hole; Stroke play – Two strokes.

* In the case of a serious breach of Rule I-2, the *Committee* may impose a penalty of disqualification.

Note: A player is deemed to have committed a serious breach of Rule I-2 if the *Committee* considers that his act of influencing the position or movement of the ball has allowed him or another player to gain a significant advantage or has placed another player, other than his *partner*, at a significant disadvantage.

1-3. Agreement to Waive Rules

Players must not agree to exclude the operation of any *Rule* or to waive any penalty incurred.

PENALTY FOR BREACH OF RULE 1-3:

Match play – Disqualification of both *sides*;

Stroke play – Disqualification of *competitors* concerned.

(Agreeing to play out of turn in stroke play – see Rule 10-2c)

1-4. Points Not Covered by Rules

If any point in dispute is not covered by the *Rules*, the decision should be made in accordance with equity.

Rule 2

Match Play

Definitions

All defined terms are in *italics* and are listed alphabetically in the Definitions section – see pages 30-43.

2-1. General

A match consists of one *side* playing against another over a *stipulated round* unless otherwise decreed by the *Committee*.

In match play the game is played by holes.

Except as otherwise provided in the *Rules*, a hole is won by the *side* that *holes* its ball in the fewer *strokes*. In a handicap match, the lower net score wins the hole.

The state of the match is expressed by the terms: so many “holes up” or “all square”, and so many “to play”.

A *side* is “dormie” when it is as many holes up as there are holes remaining to be played.

2-2. Halved Hole

A hole is halved if each *side* *holes* out in the same number of *strokes*.

When a player has *holed* out and his opponent has been left with a *stroke* for the half, if the player subsequently incurs a penalty, the hole is halved.

2-3. Winner of Match

A match is won when one *side* leads by a number of holes greater than the number remaining to be played.

If there is a tie, the *Committee* may extend the *stipulated round* by as many holes as are required for a match to be won.

2-4. Concession of Match, Hole or Next Stroke

A player may concede a match at any time prior to the start or conclusion of that match.

A player may concede a hole at any time prior to the start or conclusion of that hole.

A player may concede his opponent's next *stroke* at any time, provided the opponent's ball is at rest. The opponent is considered to have *holed* out with his next *stroke*, and the ball may be removed by either *side*.

A concession may not be declined or withdrawn.

(Ball overhanging hole – see Rule 16-2)

2-5. Doubt as to Procedure; Disputes and Claims

In match play, if a doubt or dispute arises between the players, a player may make a claim. If no duly authorised representative of the *Committee* is available within a reasonable time, the players must continue the match without delay. The *Committee* may consider a claim only if the player making the claim notifies his opponent (i) that he is making a claim, (ii) of the facts of the situation and (iii) that he wants a ruling. The claim must be made before any player in the match plays from the next *teeing ground* or, in the case of the last hole of the match, before all players in the match leave the *putting green*.

A later claim may not be considered by the *Committee*, unless it is based on facts previously unknown to the player making the claim and he had been given wrong information (Rules 6-2a and 9) by an opponent.

Once the result of the match has been officially announced, a later claim may not be considered by the *Committee*, unless it is satisfied that the opponent knew he was giving wrong information.

2-6. General Penalty

The penalty for a breach of a *Rule* in match play is loss of hole except when otherwise provided.

Rule 3

Stroke Play

Definitions

All defined terms are in *italics* and are listed alphabetically in the Definitions section – see pages 30-43.

3-1. General; Winner

A stroke play competition consists of *competitors* completing each hole of a *stipulated round* or rounds and, for each round, returning a score card on which there is a gross score for each hole. Each *competitor* is playing against every other *competitor* in the competition.

The *competitor* who plays the *stipulated round* or rounds in the fewest *strokes* is the winner.

In a handicap competition, the *competitor* with the lowest net score for the *stipulated round* or rounds is the winner.

3-2. Failure to Hole Out

If a *competitor* fails to hole out at any hole and does not correct his mistake before he makes a *stroke* on the next *teeing ground* or, in the case of the last hole of the round, before he leaves the *putting green*, he is disqualified.

3-3. Doubt as to Procedure

a. Procedure

In stroke play, if a *competitor* is doubtful of his rights or the correct procedure during the play of a hole, he may, without penalty, complete the hole with two balls.

After the doubtful situation has arisen and before taking further action, the *competitor* must announce to his *marker* or *fellow-competitor* that he intends to play two balls and which ball he wishes to count if the *Rules* permit.

The *competitor* must report the facts of the situation to the *Committee* before returning his score card. If he fails to do so, **he is disqualified**.

Note: If the *competitor* takes further action before dealing with the doubtful situation, Rule 3-3 is not applicable. The score with the original ball counts or, if the original ball is not one of the balls being played, the score with the first ball put into play counts, even if the *Rules* do not allow the procedure adopted for that ball. However, the *competitor* incurs no penalty for having played a second ball, and any *penalty strokes* incurred solely by playing that ball do not count in his score.

b. Determination of Score for Hole

- (i) If the ball that the *competitor* selected in advance to count has been played in accordance with the *Rules*, the score with that ball is the *competitor's* score for the hole. Otherwise, the score with the other ball counts if the *Rules* allow the procedure adopted for that ball.
- (ii) If the *competitor* fails to announce in advance his decision to complete the hole with two balls, or which ball he wishes to count, the score with the original ball counts, provided it has been played in accordance with the *Rules*. If the original ball is not one of the balls being played, the first ball put into play counts, provided it has been played in accordance with the *Rules*. Otherwise, the score with the other ball counts if the *Rules* allow the procedure adopted for that ball.

Note 1: If a *competitor* plays a second ball under Rule 3-3, the *strokes* made after this Rule has been invoked with the ball ruled not to count and *penalty strokes* incurred solely by playing that ball are disregarded.

Note 2: A second ball played under Rule 3-3 is not a *provisional ball* under Rule 27-2.

3-4. Refusal to Comply with a Rule

If a *competitor* refuses to comply with a *Rule* affecting the rights of another *competitor*, **he is disqualified**.

3-5. General Penalty

The penalty for a breach of a *Rule* in stroke play is two strokes except when otherwise provided.

Clubs and the Ball

The R&A reserves the right, at any time, to change the Rules relating to clubs and balls (see Appendices II and III) and make or change the interpretations relating to these Rules.

Rule 4

Clubs

A player in doubt as to the conformity of a club should consult the R&A.

A manufacturer should submit to the R&A a sample of a club to be manufactured for a ruling as to whether the club conforms with the *Rules*. The sample becomes the property of the R&A for reference purposes. If a manufacturer fails to submit a sample or, having submitted a sample, fails to await a ruling before manufacturing and/or marketing the club, the manufacturer assumes the risk of a ruling that the club does not conform with the *Rules*.

Definitions

All defined terms are in *italics* and are listed alphabetically in the Definitions section – see pages 30-43.

4-1. Form and Make of Clubs

a. General

The player's clubs must conform with this Rule and the provisions, specifications and interpretations set forth in Appendix II.

Note: The *Committee* may require, in the conditions of a competition (Rule 33-1), that any driver the player carries must have a clubhead, identified by model and loft, that is named on the current List of Conforming Driver Heads issued by the R&A.

b. Wear and Alteration

A club that conforms with the *Rules* when new is deemed to conform after wear through normal use. Any part of a club that has been purposely altered is regarded as new and must, in its altered state, conform with the *Rules*.

4-2. Playing Characteristics Changed and Foreign Material

a. Playing Characteristics Changed

During a *stipulated round*, the playing characteristics of a club must not be purposely changed by adjustment or by any other means.

b. Foreign Material

Foreign material must not be applied to the club face for the purpose of influencing the movement of the ball.

*PENALTY FOR CARRYING, BUT NOT MAKING STROKE WITH, CLUB OR CLUBS IN BREACH OF RULE 4-1 or 4-2:

Match play – At the conclusion of the hole at which the breach is discovered, the state of the match is adjusted by deducting one hole for each hole at which a breach occurred; maximum deduction per round – Two holes.

Stroke play – Two strokes for each hole at which any breach occurred; maximum penalty per round – Four strokes.

Match or stroke play – In the event of a breach between the play of two holes, the penalty applies to the next hole.

Bogey and par competitions – See Note 1 to Rule 32-1a.

Stableford competitions – See Note 1 to Rule 32-1b.

*Any club or clubs carried in breach of Rule 4-1 or 4-2 must be declared out of play by the player to his opponent in match play or his *marker* or a *fellow-competitor* in stroke play immediately upon discovery that a breach has occurred. If the player fails to do so, he is disqualified.

PENALTY FOR MAKING STROKE WITH CLUB IN BREACH OF RULE 4-1 or 4-2:

Disqualification.

4-3. Damaged Clubs: Repair and Replacement

a. Damage in Normal Course of Play

If, during a *stipulated round*, a player's club is damaged in the normal course of play, he may:

- (i) use the club in its damaged state for the remainder of the *stipulated round*; or
- (ii) without unduly delaying play, repair it or have it repaired; or
- (iii) as an additional option available only if the club is unfit for play, replace the damaged club with any club. The replacement of a club must not unduly delay play and must not be made by borrowing any club selected for play by any other person playing on the *course*.

PENALTY FOR BREACH OF RULE 4-3a:

See Penalty Statements for Rule 4-4a or b, and Rule 4-4c.

Note: A club is unfit for play if it is substantially damaged, e.g. the shaft is dented, significantly bent or breaks into pieces; the clubhead becomes loose, detached or significantly deformed; or the grip becomes loose. A club is not unfit for play solely because the club's lie or loft has been altered, or the clubhead is scratched.

b. Damage Other Than in Normal Course of Play

If, during a *stipulated round*, a player's club is damaged other than in the normal course of play rendering it non-conforming or changing its playing characteristics, the club must not subsequently be used or replaced during the round.

c. Damage Prior to Round

A player may use a club damaged prior to a round, provided the club, in its damaged state, conforms with the *Rules*.

Damage to a club that occurred prior to a round may be repaired during the round, provided the playing characteristics are not changed and play is not unduly delayed.

PENALTY FOR BREACH OF RULE 4-3b or c:

Disqualification.

(Undue delay – see Rule 6-7)

4-4. Maximum of Fourteen Clubs

a. Selection and Addition of Clubs

The player must not start a *stipulated round* with more than fourteen clubs. He is limited to the clubs thus selected for that round, except that if he started with fewer than fourteen clubs, he may add any number, provided his total number does not exceed fourteen.

The addition of a club or clubs must not unduly delay play (Rule 6-7) and the player must not add or borrow any club selected for play by any other person playing on the *course*.

b. Partners May Share Clubs

Partners may share clubs, provided that the total number of clubs carried by the *partners* so sharing does not exceed fourteen.

PENALTY FOR BREACH OF RULE 4-4a or b, REGARDLESS OF NUMBER OF EXCESS CLUBS CARRIED:

Match play – At the conclusion of the hole at which the breach is discovered, the state of the match is adjusted by deducting one hole for each hole at which a breach occurred; maximum deduction per round – Two holes.

Stroke play – Two strokes for each hole at which any breach occurred; maximum penalty per round – Four strokes.

Bogey and par competitions – See Note 1 to Rule 32-1a.

Stableford competitions – See Note 1 to Rule 32-1b.

c. Excess Club Declared Out of Play

Any club or clubs carried or used in breach of Rule 4-3a(iii) or Rule 4-4 must be declared out of play by the player to his opponent in match play or his *marker* or a *fellow-competitor* in stroke play immediately upon discovery that a breach has occurred. The player must not use the club or clubs for the remainder of the *stipulated round*.

PENALTY FOR BREACH OF RULE 4-4c:

Disqualification.

Rule 5 The Ball

Definitions

All defined terms are in *italics* and are listed alphabetically in the Definitions section – see pages 30-43.

5-1. General

The ball the player plays must conform to the requirements specified in Appendix III.

Note: The *Committee* may require, in the conditions of a competition (Rule 33-1), that the ball the player plays must be named on the current List of Conforming Golf Balls issued by the R&A.

5-2. Foreign Material

Foreign material must not be applied to a ball for the purpose of changing its playing characteristics.

PENALTY FOR BREACH OF RULE 5-1 or 5-2:
Disqualification.

5-3. Ball Unfit for Play

A ball is unfit for play if it is visibly cut, cracked or out of shape. A ball is not unfit for play solely because mud or other materials adhere to it, its surface is scratched or scraped or its paint is damaged or discoloured.

If a player has reason to believe his ball has become unfit for play during play of the hole being played, he may lift the ball, without penalty, to determine whether it is unfit.

Before lifting the ball, the player must announce his intention to his opponent in match play or his *marker* or a *fellow-competitor* in stroke play and mark the position of the ball. He may then lift and examine it, provided that he gives his opponent, *marker* or *fellow-competitor* an opportunity to examine the ball and observe the lifting and replacement. The ball must not be cleaned when lifted under Rule 5-3.

If the player fails to comply with all or any part of this procedure, or if he lifts the ball without having reason to believe that it has become unfit for play during play of the hole being played, **he incurs a penalty of one stroke.**

If it is determined that the ball has become unfit for play during play of the hole being played, the player may *substitute* another ball, placing it on the spot where the original ball lay. Otherwise, the original ball must be replaced. If a player *substitutes* a ball when not permitted and makes a *stroke* at the *wrongly substituted ball*, **he incurs the general penalty for a breach of Rule 5-3**, but there is no additional penalty under this Rule or Rule 15-2.

If a ball breaks into pieces as a result of a *stroke*, the *stroke* is cancelled and the player must play a ball, without penalty, as nearly as possible at the spot from which the original ball was played (see Rule 20-5).

*PENALTY FOR BREACH OF RULE 5-3:

Match play – Loss of hole; Stroke play – Two strokes.

*If a player incurs the general penalty for a breach of Rule 5-3, there is no additional penalty under this Rule.

Note 1: If the opponent, *marker* or *fellow-competitor* wishes to dispute a claim of unfitness, he must do so before the player plays another ball.

Note 2: If the original lie of a ball to be placed or replaced has been altered, see Rule 20-3b.

(Cleaning ball lifted from putting green or under any other Rule – see Rule 21)

Player's Responsibilities

Rule 6

The Player

Definitions

All defined terms are in *italics* and are listed alphabetically in the Definitions section – see pages 30-43.

6-1. Rules

The player and his *caddie* are responsible for knowing the *Rules*. During a *stipulated round*, for any breach of a *Rule* by his *caddie*, the player incurs the applicable penalty.

6-2. Handicap

a. Match Play

Before starting a match in a handicap competition, the players should determine from one another their respective handicaps. If a player begins a match having declared a handicap higher than that to which he is entitled and this affects the number of strokes given or received, **he is disqualified**; otherwise, the player must play off the declared handicap.

b. Stroke Play

In any round of a handicap competition, the *competitor* must ensure that his handicap is recorded on his score card before it is returned to the *Committee*. If no handicap is recorded on his score card before it is returned (Rule 6-6b), or if the recorded handicap is higher than that to which he is entitled and this affects the number of strokes received, **he is disqualified** from the handicap competition; otherwise, the score stands.

Note: It is the player's responsibility to know the holes at which handicap strokes are to be given or received.

6-3. Time of Starting and Groups

a. Time of Starting

The player must start at the time established by the *Committee*.

b. Groups

In stroke play, the *competitor* must remain throughout the round in the group arranged by the *Committee*, unless the *Committee* authorises or ratifies a change.

PENALTY FOR BREACH OF RULE 6-3:

Disqualification.

(Best-ball and four-ball play – see Rules 30-3a and 31-2)

Note: The *Committee* may provide, in the conditions of a competition (Rule 33-1), that if the player arrives at his starting point, ready to play, within five minutes after his starting time, in the absence of circumstances that warrant waiving the penalty of disqualification as provided in Rule 33-7, the penalty for failure to start on time is *loss of the first hole in match play or two strokes at the first hole in stroke play* instead of disqualification.

6-4. Caddie

The player may be assisted by a *caddie*, but he is limited to only one *caddie* at any one time.

PENALTY FOR BREACH OF RULE 6-4:

Match play – At the conclusion of the hole at which the breach is discovered, the state of the match is adjusted by deducting one hole for each hole at which a breach occurred; maximum deduction per round – Two holes.

Stroke play – Two strokes for each hole at which any breach occurred; maximum penalty per round – Four strokes.

Match or stroke play – In the event of a breach between the play of two holes, the penalty applies to the next hole.

A player having more than one *caddie* in breach of this Rule must immediately upon discovery that a breach has occurred ensure that he has no more than one *caddie* at any one time during the remainder of the *stipulated round*. Otherwise, the player is disqualified.

Bogey and par competitions – See Note 1 to Rule 32-1a.

Stableford competitions – See Note 1 to Rule 32-1b.

Note: The *Committee* may, in the conditions of a competition (Rule 33-1), prohibit the use of *caddies* or restrict a player in his choice of *caddie*.

6-5. Ball

The responsibility for playing the proper ball rests with the player. Each player should put an identification mark on his ball.

6-6. Scoring in Stroke Play

a. Recording Scores

After each hole the *marker* should check the score with the *competitor*

and record it. On completion of the round the *marker* must sign the score card and hand it to the *competitor*. If more than one *marker* records the scores, each must sign for the part for which he is responsible.

b. Signing and Returning Score Card

After completion of the round, the *competitor* should check his score for each hole and settle any doubtful points with the *Committee*. He must ensure that the *marker* or markers have signed the score card, sign the score card himself and return it to the *Committee* as soon as possible.

PENALTY FOR BREACH OF RULE 6-6b:

Disqualification.

c. Alteration of Score Card

No alteration may be made on a score card after the *competitor* has returned it to the *Committee*.

d. Wrong Score for Hole

The *competitor* is responsible for the correctness of the score recorded for each hole on his score card. If he returns a score for any hole lower than actually taken, **he is disqualified**. If he returns a score for any hole higher than actually taken, the score as returned stands.

Note 1: The *Committee* is responsible for the addition of scores and application of the handicap recorded on the score card – see Rule 33-5.

Note 2: In *four-ball* stroke play, see also Rule 31-3 and 31-7a.

6-7. Undue Delay; Slow Play

The player must play without undue delay and in accordance with any pace of play guidelines that the *Committee* may establish. Between completion of a hole and playing from the next *teeing ground*, the player must not unduly delay play.

PENALTY FOR BREACH OF RULE 6-7:

Match play – Loss of hole; Stroke play – Two strokes.

Bogey and par competitions – See Note 2 to Rule 32-1a.

Stableford competitions – See Note 2 to Rule 32-1b.

For subsequent offence – Disqualification.

Note 1: If the player unduly delays play between holes, he is delaying the play of the next hole and, except for bogey, par and Stableford competitions (see Rule 32), the penalty applies to that hole.

Note 2: For the purpose of preventing slow play, the *Committee* may, in the conditions of a competition (Rule 33-1), establish pace of play guidelines including maximum periods of time allowed to complete a *stipulated round*, a hole or a *stroke*.

In stroke play only, the *Committee* may, in such a condition, modify the penalty for a breach of this Rule as follows:

First offence – One stroke;

Second offence – Two strokes.

For subsequent offence – Disqualification.

6-8. Discontinuance of Play; Resumption of Play

a. When Permitted

The player must not discontinue play unless:

- (i) the *Committee* has suspended play;
- (ii) he believes there is danger from lightning;
- (iii) he is seeking a decision from the *Committee* on a doubtful or disputed point (see Rules 2-5 and 34-3); or
- (iv) there is some other good reason such as sudden illness.

Bad weather is not of itself a good reason for discontinuing play.

If the player discontinues play without specific permission from the *Committee*, he must report to the *Committee* as soon as practicable. If he does so and the *Committee* considers his reason satisfactory, there is no penalty. Otherwise, **the player is disqualified**.

Exception in match play: Players discontinuing match play by agreement are not subject to disqualification, unless by so doing the competition is delayed.

Note: Leaving the *course* does not of itself constitute discontinuance of play.

b. Procedure When Play Suspended by Committee

When play is suspended by the *Committee*, if the players in a match or group are between the play of two holes, they must not resume play until the *Committee* has ordered a resumption of play. If they have started play of a hole, they may discontinue play immediately or continue play of the hole, provided they do so without delay. If the players choose to continue play of the hole, they are permitted to discontinue play before completing it. In any case, play must be discontinued after the hole is completed.

The players must resume play when the *Committee* has ordered a resumption of play.

PENALTY FOR BREACH OF RULE 6-8b:

Disqualification.

Note: The *Committee* may provide, in the conditions of a competition (Rule 33-1), that in potentially dangerous situations play must be discontinued immediately following a suspension of play by the *Committee*. If a player fails to discontinue play immediately, **he is disqualified**, unless circumstances warrant waiving the penalty as provided in Rule 33-7.

c. Lifting Ball When Play Discontinued

When a player discontinues play of a hole under Rule 6-8a, he may lift his ball, without penalty, only if the *Committee* has suspended play or there is a good reason to lift it. Before lifting the ball the player must mark its position. If the player discontinues play and lifts his ball without specific permission from the *Committee*, he must, when reporting to the *Committee* (Rule 6-8a), report the lifting of the ball. If the player lifts the ball without a good reason to do so, fails to mark the position of the ball before lifting it or fails to report the lifting of the ball, **he incurs a penalty of one stroke**.

d. Procedure When Play Resumed

Play must be resumed from where it was discontinued, even if

resumption occurs on a subsequent day. The player must, either before or when play is resumed, proceed as follows:

- (i) if the player has lifted the ball, he must, provided he was entitled to lift it under Rule 6-8c, place the original ball or a *substituted ball* on the spot from which the original ball was lifted. Otherwise, the original ball must be replaced;
- (ii) if the player has not lifted his ball, he may, provided he was entitled to lift it under Rule 6-8c, lift, clean and replace the ball, or substitute a ball, on the spot from which the original ball was lifted. Before lifting the ball he must mark its position; or
- (iii) if the player's ball or ball-marker is moved (including by wind or water) while play is discontinued, a ball or ball-marker must be placed on the spot from which the original ball or ball-marker was moved.

Note: If the spot where the ball is to be placed is impossible to determine, it must be estimated and the ball placed on the estimated spot. The provisions of Rule 20-3c do not apply.

*PENALTY FOR BREACH OF RULE 6-8d:

Match play – Loss of hole; Stroke play – Two strokes.

*If a player incurs the general penalty for a breach of Rule 6-8d, there is no additional penalty under Rule 6-8c.

Rule 7

Practice

Definitions

All defined terms are in *italics* and are listed alphabetically in the Definitions section – see pages 30-43.

7-1. Before or Between Rounds

a. Match Play

On any day of a match play competition, a player may practise on the competition *course* before a round.

b. Stroke Play

Before a round or play-off on any day of a stroke play competition, a *competitor* must not practise on the competition *course* or test the surface of any *putting green* on the *course* by rolling a ball or roughening or scraping the surface.

When two or more rounds of a stroke play competition are to be played over consecutive days, a *competitor* must not practise between those rounds on any competition *course* remaining to be played, or test the surface of any *putting green* on such *course* by rolling a ball or roughening or scraping the surface.

Exception: Practice putting or chipping on or near the first *teeing ground* before starting a round or play-off is permitted.

PENALTY FOR BREACH OF RULE 7-1b:

Disqualification.

Note: The *Committee* may, in the conditions of a competition (Rule 33-1), prohibit practice on the competition *course* on any day of a match play competition or permit practice on the competition *course* or part of the *course* (Rule 33-2c) on any day of or between rounds of a stroke play competition.

7-2. During Round

A player must not make a practice *stroke* during play of a hole.

Between the play of two holes a player must not make a practice *stroke*, except that he may practise putting or chipping on or near:

- a. the *putting green* of the hole last played,
- b. any practice *putting green*, or
- c. the *teeing ground* of the next hole to be played in the round, provided a practice *stroke* is not made from a *hazard* and does not unduly delay play (Rule 6-7).

Strokes made in continuing the play of a hole, the result of which has been decided, are not practice *strokes*.

Exception: When play has been suspended by the *Committee*, a player may, prior to resumption of play, practise (a) as provided in this Rule, (b) anywhere other than on the competition *course* and (c) as otherwise permitted by the *Committee*.

PENALTY FOR BREACH OF RULE 7-2:

Match play – Loss of hole; Stroke play – Two strokes.

In the event of a breach between the play of two holes, the penalty applies to the next hole.

Note 1: A practice swing is not a practice *stroke* and may be taken at any place, provided the player does not breach the *Rules*.

Note 2: The *Committee* may, in the conditions of a competition (Rule 33-1), prohibit:

- (a) practice on or near the *putting green* of the hole last played, and
- (b) rolling a ball on the *putting green* of the hole last played.

Rule 8

Advice; Indicating Line of Play

Definitions

All defined terms are in *italics* and are listed alphabetically in the Definitions section – see pages 30-43.

8-1. Advice

During a *stipulated round*, a player must not:

- a. give *advice* to anyone in the competition playing on the *course* other than his *partner*, or
- b. ask for *advice* from anyone other than his *partner* or either of their *caddies*.

8-2. Indicating Line of Play

a. Other Than on Putting Green

Except on the *putting green*, a player may have the *line of play* indicated to him by anyone, but no one may be positioned by the player on or close

to the line or an extension of the line beyond the *hole* while the *stroke* is being made. Any mark placed by the player or with his knowledge to indicate the line must be removed before the *stroke* is made.

Exception: *Flagstick* attended or held up – see Rule 17-1.

b. On the Putting Green

When the player's ball is on the *putting green*, the player, his *partner* or either of their *caddies* may, before but not during the *stroke*, point out a line for putting, but in so doing the *putting green* must not be touched. A mark must not be placed anywhere to indicate a line for putting.

PENALTY FOR BREACH OF RULE:

Match play – Loss of hole; Stroke play – Two strokes.

Note: The *Committee* may, in the conditions of a team competition (Rule 33-1), permit each team to appoint one person who may give *advice* (including pointing out a line for putting) to members of that team. The *Committee* may establish conditions relating to the appointment and permitted conduct of that person, who must be identified to the *Committee* before giving *advice*.

Rule 9

Information as to Strokes Taken

Definitions

All defined terms are in *italics* and are listed alphabetically in the Definitions section – see pages 30-43.

9-1. General

The number of *strokes* a player has taken includes any *penalty strokes* incurred.

9-2. Match Play

a. Information as to Strokes Taken

An opponent is entitled to ascertain from the player, during the play of a hole, the number of *strokes* he has taken and, after play of a hole, the number of *strokes* taken on the hole just completed.

b. Wrong Information

A player must not give wrong information to his opponent. If a player gives wrong information, **he loses the hole**.

A player is deemed to have given wrong information if he:

- (i) fails to inform his opponent as soon as practicable that he has incurred a penalty, unless (a) he was obviously proceeding under a *Rule* involving a penalty and this was observed by his opponent, or (b) he corrects the mistake before his opponent makes his next *stroke*; or
- (ii) gives incorrect information during play of a hole regarding the number of *strokes* taken and does not correct the mistake before his opponent makes his next *stroke*; or
- (iii) gives incorrect information regarding the number of *strokes* taken to complete a hole and this affects the opponent's understanding of the result of the hole, unless he corrects the mistake before any player makes a *stroke* from the next *teeing ground* or, in the case of the last hole of the match, before all players leave the *putting green*.

A player has given wrong information even if it is due to the failure to include a penalty that he did not know he had incurred. It is the player's responsibility to know the *Rules*.

9-3. Stroke Play

A *competitor* who has incurred a penalty should inform his *marker* as soon as practicable.

Order of Play

Rule 10

Order of Play

Definitions

All defined terms are in *italics* and are listed alphabetically in the Definitions section – see pages 30-43.

10-1. Match Play

a. When Starting Play of Hole

The *side* that has the *honour* at the first *teeing ground* is determined by the order of the draw. In the absence of a draw, the *honour* should be decided by lot.

The *side* that wins a hole takes the *honour* at the next *teeing ground*. If a hole has been halved, the *side* that had the *honour* at the previous *teeing ground* retains it.

b. During Play of Hole

After both players have started play of the hole, the ball farther from the *hole* is played first. If the balls are equidistant from the *hole* or their positions relative to the *hole* are not determinable, the ball to be played first should be decided by lot.

Exception: Rule 30-3b (*best-ball* and *four-ball* match play).

Note: When it becomes known that the original ball is not to be played as it lies and the player is required to play a ball as nearly as possible at the spot from which the original ball was last played (see Rule 20-5), the order of play is determined by the spot from which the previous *stroke* was made. When a ball may be played from a spot other than where the previous *stroke* was made, the order of play is determined by the position where the original ball came to rest.

c. Playing Out of Turn

If a player plays when his opponent should have played, there is no penalty, but the opponent may immediately require the player to cancel the *stroke* so made and, in correct order, play a ball as nearly as possible at the spot from which the original ball was last played (see Rule 20-5).

10-2. Stroke Play

a. When Starting Play of Hole

The *competitor* who has the *honour* at the first *teeing ground* is determined by the order of the draw. In the absence of a draw, the *honour* should be decided by lot.

The *competitor* with the lowest score at a hole takes the *honour* at the next *teeing ground*. The *competitor* with the second lowest score plays next and so on. If two or more *competitors* have the same score at a hole, they play from the next *teeing ground* in the same order as at the previous *teeing ground*.

Exception: Rule 32-1 (handicap bogey, par and Stableford competitions).

b. During Play of Hole

After the *competitors* have started play of the hole, the ball farthest from the *hole* is played first. If two or more balls are equidistant from the *hole* or their positions relative to the *hole* are not determinable, the ball to be played first should be decided by lot.

Exceptions: Rules 22 (ball assisting or interfering with play) and 31-4 (*four-ball* stroke play).

Note: When it becomes known that the original ball is not to be played as it lies and the *competitor* is required to play a ball as nearly as possible at the spot from which the original ball was last played (see Rule 20-5), the order of play is determined by the spot from which the previous *stroke* was made. When a ball may be played from a spot other than where the previous *stroke* was made, the order of play is determined by the position where the original ball came to rest.

c. Playing Out of Turn

If a *competitor* plays out of turn, there is no penalty and the ball is played as it lies. If, however, the *Committee* determines that *competitors* have agreed to play out of turn to give one of them an advantage, they are disqualified.

(Making stroke while another ball in motion after stroke from putting green – see Rule 16-1f)

(Incorrect order of play in threesome and foursome stroke play – see Rule 29-3)

10-3. Provisional Ball or Another Ball from Teeing Ground

If a player plays a *provisional ball* or another ball from the *teeing ground*, he must do so after his opponent or *fellow-competitor* has made his

first *stroke*. If more than one player elects to play a *provisional ball* or is required to play another ball from the *teeing ground*, the original order of play must be retained. If a player plays a *provisional ball* or another ball out of turn, Rule 10-1c or 10-2c applies.

Teeing Ground

Rule 11

Teeing Ground

Definitions

All defined terms are in *italics* and are listed alphabetically in the Definitions section – see pages 30-43.

11-1. Teeing

When a player is putting a ball into play from the *teeing ground*, it must be played from within the *teeing ground* and from the surface of the ground or from a conforming *tee* in or on the surface of the ground.

For the purposes of this Rule, the surface of the ground includes an irregularity of surface (whether or not created by the player) and sand or other natural substance (whether or not placed by the player).

If a player makes a *stroke* at a ball on a non-conforming *tee*, or at a ball teed in a manner not permitted by this Rule, **he is disqualified**.

A player may stand outside the *teeing ground* to play a ball within it.

11-2. Tee-Markers

Before a player makes his first *stroke* with any ball on the *teeing ground* of the hole being played, the tee-markers are deemed to be fixed. In these circumstances, if the player moves or allows to be moved a tee-marker for the purpose of avoiding interference with his *stance*, the area of his intended swing or his *line of play*, **he incurs the penalty for a breach of Rule 13-2**.

11-3. Ball Falling off Tee

If a ball, when not *in play*, falls off a *tee* or is knocked off a *tee* by the player in *addressing* it, it may be re-teed, without penalty. However, if a

stroke is made at the ball in these circumstances, whether the ball is moving or not, the *stroke* counts, but there is no penalty.

11-4. Playing from Outside Teeing Ground

a. Match Play

If a player, when starting a hole, plays a ball from outside the *teeing ground*, there is no penalty, but the opponent may immediately require the player to cancel the *stroke* and play a ball from within the *teeing ground*.

b. Stroke Play

If a *competitor*, when starting a hole, plays a ball from outside the *teeing ground*, he incurs a penalty of two strokes and must then play a ball from within the *teeing ground*.

If the *competitor* makes a *stroke* from the next *teeing ground* without first correcting his mistake or, in the case of the last hole of the round, leaves the *putting green* without first declaring his intention to correct his mistake, he is disqualified.

The *stroke* from outside the *teeing ground* and any subsequent *strokes* by the *competitor* on the hole prior to his correction of the mistake do not count in his score.

11-5. Playing from Wrong Teeing Ground

The provisions of Rule 11-4 apply.

Playing the Ball

Rule 12

Searching for and Identifying Ball

Definitions

All defined terms are in *italics* and are listed alphabetically in the Definitions section – see pages 30-43.

12-1. Searching for Ball; Seeing Ball

In searching for his ball anywhere on the *course*, the player may touch

or bend long grass, rushes, bushes, whins, heather or the like, but only to the extent necessary to find and identify it, provided that this does not improve the lie of the ball, the area of his intended *stance* or swing or his *line of play*.

A player is not necessarily entitled to see his ball when making a *stroke*. In a *hazard*, if a ball is believed to be covered by *loose impediments* or sand, the player may remove by probing or raking with a club or otherwise, as many *loose impediments* or as much sand as will enable him to see a part of the ball. If an excess is removed, there is no penalty and the ball must be re-covered so that only a part of it is visible. If the ball is *moved* during the removal, there is no penalty; the ball must be replaced and, if necessary, re-covered. As to removal of *loose impediments* outside a *hazard*, see Rule 23-1.

If a ball lying in or on an *obstruction* or in an *abnormal ground condition* is accidentally *moved* during search, there is no penalty; the ball must be replaced, unless the player elects to proceed under Rule 24-1b, 24-2b or 25-1b as applicable. If the player replaces the ball, he may still proceed under Rule 24-1b, 24-2b or 25-1b if applicable.

If a ball is believed to be lying in water in a *water hazard*, the player may probe for it with a club or otherwise. If the ball is *moved* in probing, it must be replaced, unless the player elects to proceed under Rule 26-1. There is no penalty for causing the ball to *move*, provided the movement of the ball was directly attributable to the specific act of probing. Otherwise, [the player incurs a penalty stroke under Rule 18-2a](#).

PENALTY FOR BREACH OF RULE 12-1:

Match play – Loss of hole; Stroke play – Two strokes.

12-2. Identifying Ball

The responsibility for playing the proper ball rests with the player. Each player should put an identification mark on his ball.

If a player has reason to believe a ball at rest is his and it is necessary to lift the ball in order to identify it, he may lift the ball, without penalty, in order to do so.

Before lifting the ball, the player must announce his intention to his opponent in match play or his *marker* or a *fellow-competitor* in stroke play and mark the position of the ball. He may then lift the ball and identify it, provided that he gives his opponent, *marker* or *fellow-competitor* an opportunity to observe the lifting and replacement. The ball must not be cleaned beyond the extent necessary for identification when lifted under Rule 12-2.

If the ball is the player's ball and he fails to comply with all or any part of this procedure, or he lifts his ball in order to identify it when not necessary to do so, he incurs a penalty of one stroke. If the lifted ball is the player's ball, he must replace it. If he fails to do so, he incurs the general penalty for a breach of Rule 12-2, but there is no additional penalty under this Rule.

Note: If the original lie of a ball to be placed or replaced has been altered, see Rule 20-3b.

*PENALTY FOR BREACH OF RULE 12-2:

Match play – Loss of hole; Stroke play – Two strokes.

*If a player incurs the general penalty for a breach of Rule 12-2, there is no additional penalty under this Rule.

Rule 13

Ball Played as It Lies

Definitions

All defined terms are in *italics* and are listed alphabetically in the Definitions section – see pages 30-43.

13-1. General

The ball must be played as it lies, except as otherwise provided in the *Rules*.
(Ball at rest moved – see Rule 18)

13-2. Improving Lie, Area of Intended Stance or Swing, or Line of Play

A player must not improve or allow to be improved:

- the position or lie of his ball,
- the area of his intended *stance* or swing,
- his *line of play* or a reasonable extension of that line beyond the *hole*, or
- the area in which he is to drop or place a ball,

by any of the following actions:

- pressing a club on the ground,
- moving, bending or breaking anything growing or fixed (including immovable *obstructions* and objects defining *out of bounds*),
- creating or eliminating irregularities of surface,
- removing or pressing down sand, loose soil, replaced divots or other cut turf placed in position, or
- removing dew, frost or water.

However, the player incurs no penalty if the action occurs:

- in grounding the club lightly when *addressing the ball*,
- in fairly taking his *stance*,
- in making a *stroke* or the backward movement of his club for a *stroke* and the *stroke* is made,
- in creating or eliminating irregularities of surface within the *teeing ground* (Rule 11-1) or in removing dew, frost or water from the *teeing ground*, or
- on the *putting green* in removing sand and loose soil or in repairing damage (Rule 16-1).

Exception: Ball in *hazard* – see Rule 13-4.

13-3. Building Stance

A player is entitled to place his feet firmly in taking his *stance*, but he must not build a *stance*.

13-4. Ball in Hazard; Prohibited Actions

Except as provided in the *Rules*, before making a *stroke* at a ball that is in a *hazard* (whether a *bunker* or a *water hazard*) or that, having been lifted from a *hazard*, may be dropped or placed in the *hazard*, the player must not:

- a. Test the condition of the *hazard* or any similar *hazard*;
- b. Touch the ground in the *hazard* or water in the *water hazard* with his hand or a club; or
- c. Touch or move a *loose impediment* lying in or touching the *hazard*.

Exceptions:

1. Provided nothing is done that constitutes testing the condition of the *hazard* or improves the lie of the ball, there is no penalty if the player (a) touches the ground or *loose impediments* in any *hazard* or water in a *water hazard* as a result of or to prevent falling, in removing an *obstruction*, in measuring or in marking the position of, retrieving, lifting, placing or replacing a ball under any *Rule* or (b) places his clubs in a *hazard*.
2. After making the *stroke*, if the ball is still in the *hazard* or has been lifted from the *hazard* and may be dropped or placed in the *hazard*, the player may smooth sand or soil in the *hazard*, provided nothing is done to breach Rule 13-2 with respect to his next *stroke*. If the ball is outside the *hazard* after the *stroke*, the player may smooth sand or soil in the *hazard* without restriction.
3. If the player makes a *stroke* from a *hazard* and the ball comes to rest in another *hazard*, Rule 13-4a does not apply to any subsequent actions taken in the *hazard* from which the *stroke* was made.

Note: At any time, including at *address* or in the backward movement for the *stroke*, the player may touch, with a club or otherwise, any *obstruction*, any construction declared by the *Committee* to be an integral part of the *course* or any grass, bush, tree or other growing thing.

PENALTY FOR BREACH OF RULE:

Match play – Loss of hole; Stroke play – Two strokes.

(Searching for ball – see Rule 12-1)

(Relief for ball in water hazard – see Rule 26)

Rule 14 Striking the Ball

Definitions

All defined terms are in *italics* and are listed alphabetically in the Definitions section – see pages 30-43.

14-1. Ball to be Fairly Struck At

The ball must be fairly struck at with the head of the club and must not be pushed, scraped or spooned.

14-2. Assistance

In making a *stroke*, a player must not:

- a. Accept physical assistance or protection from the elements; or
- b. Allow his *caddie*, his *partner* or his *partner's caddie* to position himself on or close to an extension of the *line of play* or the *line of putt* behind the ball.

PENALTY FOR BREACH OF RULE 14-1 or 14-2:

Match play – Loss of hole; Stroke play – Two strokes.

14-3. Artificial Devices, Unusual Equipment and Unusual Use of Equipment

The R&A reserves the right, at any time, to change the Rules relating to artificial devices, unusual *equipment* and the unusual use of *equipment*, and to make or change the interpretations relating to these Rules.

A player in doubt as to whether use of an item would constitute a breach of Rule 14-3 should consult the R&A.

A manufacturer should submit to the R&A a sample of an item to be manufactured for a ruling as to whether its use during a *stipulated round* would cause a player to be in breach of Rule 14-3. The sample becomes the property of the R&A for reference purposes. If a manufacturer fails to submit a sample or, having submitted a sample, fails to await a ruling before manufacturing and/or marketing the item,

the manufacturer assumes the risk of a ruling that use of the item would be contrary to the *Rules*.

Except as provided in the *Rules*, during a *stipulated round* the player must not use any artificial device or unusual *equipment*, or use any *equipment* in an unusual manner:

- a. That might assist him in making a *stroke* or in his play; or
- b. For the purpose of gauging or measuring distance or conditions that might affect his play; or
- c. That might assist him in gripping the club, except that:
 - (i) plain gloves may be worn;
 - (ii) resin, powder and drying or moisturising agents may be used; and
 - (iii) a towel or handkerchief may be wrapped around the grip.

Exceptions:

1. A player is not in breach of this Rule if (a) the *equipment* or device is designed for or has the effect of alleviating a medical condition, (b) the player has a legitimate medical reason to use the *equipment* or device, and (c) the *Committee* is satisfied that its use does not give the player any undue advantage over other players.
2. A player is not in breach of this Rule if he uses *equipment* in a traditionally accepted manner.

PENALTY FOR BREACH OF RULE 14-3:

Disqualification.

Note: The *Committee* may make a Local Rule allowing players to use devices that measure or gauge distance only.

14-4. Striking the Ball More Than Once

If a player's club strikes the ball more than once in the course of a *stroke*, the player must count the *stroke* and add a *penalty stroke*, making two *strokes* in all.

14-5. Playing Moving Ball

A player must not make a *stroke* at his ball while it is moving.

Exceptions:

- Ball falling off tee – Rule 11-3
- Striking the ball more than once – Rule 14-4
- Ball moving in water – Rule 14-6

When the ball begins to *move* only after the player has begun the *stroke* or the backward movement of his club for the *stroke*, he incurs no penalty under this Rule for playing a moving ball, but he is not exempt from any penalty under the following Rules:

- Ball at rest *moved* by player – Rule 18-2a
- Ball at rest moving after *address* – Rule 18-2b

(Ball purposely deflected or stopped by player, partner or caddie – see Rule 1-2)

14-6. Ball Moving in Water

When a ball is moving in water in a *water hazard*, the player may, without penalty, make a *stroke*, but he must not delay making his *stroke* in order to allow the wind or current to improve the position of the ball. A ball moving in water in a *water hazard* may be lifted if the player elects to invoke Rule 26.

PENALTY FOR BREACH OF RULE 14-5 or 14-6:

Match play – Loss of hole; Stroke play – Two strokes.

Rule 15

Substituted Ball; Wrong Ball

Definitions

All defined terms are in *italics* and are listed alphabetically in the Definitions section – see pages 30-43.

15-1. General

A player must hole out with the ball played from the *teeing ground*, unless the ball is *lost* or *out of bounds* or the player *substitutes* another ball, whether or not substitution is permitted (see Rule 15-2). If a player plays a *wrong ball*, see Rule 15-3.

15-2. Substituted Ball

A player may *substitute* a ball when proceeding under a *Rule* that permits the player to play, drop or place another ball in completing the play of a hole. The *substituted ball* becomes the *ball in play*.

If a player *substitutes* a ball when not permitted to do so under the *Rules*, that *substituted ball* is not a *wrong ball*; it becomes the *ball in play*. If the mistake is not corrected as provided in Rule 20-6 and the player makes a *stroke* at a *wrongly substituted ball*, he loses the hole in match play or incurs a penalty of two strokes in stroke play under the applicable *Rule* and, in stroke play, must play out the hole with the *substituted ball*.

Exception: If a player incurs a penalty for making a *stroke* from a wrong place, there is no additional penalty for substituting a ball when not permitted.

(Playing from wrong place – see Rule 20-7)

15-3. Wrong Ball

a. Match Play

If a player makes a *stroke* at a *wrong ball*, he loses the hole.

If the *wrong ball* belongs to another player, its owner must place a ball on the spot from which the *wrong ball* was first played.

If the player and opponent exchange balls during the play of a hole, the first to make a *stroke* at a *wrong ball* loses the hole; when this cannot be determined, the hole must be played out with the balls exchanged.

Exception: There is no penalty if a player makes a *stroke* at a *wrong ball* that is moving in water in a *water hazard*. Any *strokes* made at a *wrong ball* moving in water in a *water hazard* do not count in the player's score. The player must correct his mistake by playing the correct ball or by proceeding under the *Rules*.

b. Stroke Play

If a *competitor* makes a *stroke* or *strokes* at a *wrong ball*, he incurs a penalty of two strokes.

The *competitor* must correct his mistake by playing the correct ball or by proceeding under the *Rules*. If he fails to correct his mistake before making a *stroke* on the next *teeing ground* or, in the case of the last hole of the round, fails to declare his intention to correct his mistake before leaving the *putting green*, he is disqualified.

Strokes made by a *competitor* with a *wrong ball* do not count in his score. If the *wrong ball* belongs to another *competitor*, its owner must place a ball on the spot from which the *wrong ball* was first played.

Exception: There is no penalty if a *competitor* makes a *stroke* at a *wrong ball* that is moving in water in a *water hazard*. Any *strokes* made at a *wrong ball* moving in water in a *water hazard* do not count in the *competitor's* score.

(Lie of ball to be placed or replaced altered – see Rule 20-3b)

(Spot not determinable – see Rule 20-3c)

The Putting Green

Rule 16

The Putting Green

Definitions

All defined terms are in *italics* and are listed alphabetically in the Definitions section – see pages 30-43.

16-1. General

a. Touching Line of Putt

The *line of putt* must not be touched except:

- (i) the player may remove *loose impediments*, provided he does not press anything down;
- (ii) the player may place the club in front of the ball when *addressing* it, provided he does not press anything down;

- (iii) in measuring – Rule 18-6;
 - (iv) in lifting or replacing the ball – Rule 16-1b;
 - (v) in pressing down a ball-marker;
 - (vi) in repairing old *hole* plugs or ball marks on the *putting green* – Rule 16-1c; and
 - (vii) in removing movable *obstructions* – Rule 24-1.
- (Indicating line for putting on putting green – see Rule 8-2b)

b. Lifting and Cleaning Ball

A ball on the *putting green* may be lifted and, if desired, cleaned. The position of the ball must be marked before it is lifted and the ball must be replaced (see Rule 20-1).

c. Repair of Hole Plugs, Ball Marks and Other Damage

The player may repair an old *hole* plug or damage to the *putting green* caused by the impact of a ball, whether or not the player's ball lies on the *putting green*. If a ball or ball-marker is accidentally *moved* in the process of the repair, the ball or ball-marker must be replaced. There is no penalty, provided the movement of the ball or ball-marker is directly attributable to the specific act of repairing an old *hole* plug or damage to the *putting green* caused by the impact of a ball. Otherwise, Rule 18 applies.

Any other damage to the *putting green* must not be repaired if it might assist the player in his subsequent play of the hole.

d. Testing Surface

During the *stipulated round*, a player must not test the surface of any *putting green* by rolling a ball or roughening or scraping the surface.

Exception: Between the play of two holes, a player may test the surface of any practice *putting green* and the *putting green* of the hole last played, unless the *Committee* has prohibited such action (see Note 2 to Rule 7-2).

e. Standing Astride or on Line of Putt

The player must not make a *stroke* on the *putting green* from a *stance* astride, or with either foot touching, the *line of putt* or an extension of that line behind the ball.

Exception: There is no penalty if the *stance* is inadvertently taken on or astride the *line of putt* (or an extension of that line behind the ball) or is taken to avoid standing on another player's *line of putt* or prospective *line of putt*.

f. Making Stroke While Another Ball in Motion

The player must not make a *stroke* while another ball is in motion after a *stroke* from the *putting green*, except that if a player does so, there is no penalty if it was his turn to play.

(Lifting ball assisting or interfering with play while another ball in motion – see Rule 22)

PENALTY FOR BREACH OF RULE 16-1:

Match play – Loss of hole; Stroke play – Two strokes.

(Position of caddie or partner – see Rule 14-2)

(Wrong putting green – see Rule 25-3)

16-2. Ball Overhanging Hole

When any part of the ball overhangs the lip of the *hole*, the player is allowed enough time to reach the *hole* without unreasonable delay and an additional ten seconds to determine whether the ball is at rest. If by then the ball has not fallen into the *hole*, it is deemed to be at rest. If the ball subsequently falls into the *hole*, the player is deemed to have *holed out* with his last *stroke*, and **must add a penalty stroke** to his score for the hole; otherwise, there is no penalty under this Rule.

(Undue delay – see Rule 6-7)

Rule 17

The Flagstick

Definitions

All defined terms are in *italics* and are listed alphabetically in the Definitions section – see pages 30-43.

17-1. Flagstick Attended, Removed or Held Up

Before making a *stroke* from anywhere on the *course*, the player may

have the *flagstick* attended, removed or held up to indicate the position of the *hole*.

If the *flagstick* is not attended, removed or held up before the player makes a *stroke*, it must not be attended, removed or held up during the *stroke* or while the player's ball is in motion if doing so might influence the movement of the ball.

Note 1: If the *flagstick* is in the *hole* and anyone stands near it while a *stroke* is being made, he is deemed to be attending the *flagstick*.

Note 2: If, prior to the *stroke*, the *flagstick* is attended, removed or held up by anyone with the player's knowledge and he makes no objection, the player is deemed to have authorised it.

Note 3: If anyone attends or holds up the *flagstick* while a *stroke* is being made, he is deemed to be attending the *flagstick* until the ball comes to rest.

(Moving attended, removed or held-up flagstick while ball in motion – see Rule 24-1)

17-2. Unauthorised Attendance

If an opponent or his *caddie* in match play or a *fellow-competitor* or his *caddie* in stroke play, without the player's authority or prior knowledge, attends, removes or holds up the *flagstick* during the *stroke* or while the ball is in motion, and the act might influence the movement of the ball, the opponent or *fellow-competitor* incurs the applicable penalty.

***PENALTY FOR BREACH OF RULE 17-1 or 17-2:**

Match play – Loss of hole; Stroke play – Two strokes.

*In stroke play, if a breach of Rule 17-2 occurs and the *competitor's* ball subsequently strikes the *flagstick*, the person attending or holding it or anything carried by him, the *competitor* incurs no penalty. The ball is played as it lies, except that if the *stroke* was made on the *putting green*, the *stroke* is cancelled and the ball must be replaced and replayed.

17-3. Ball Striking Flagstick or Attendant

The player's ball must not strike:

- a. The *flagstick* when it is attended, removed or held up;

- b. The person attending or holding up the *flagstick* or anything carried by him; or
- c. The *flagstick* in the *hole*, unattended, when the *stroke* has been made on the *putting green*.

Exception: When the *flagstick* is attended, removed or held up without the player's authority – see Rule 17-2.

PENALTY FOR BREACH OF RULE 17-3:

Match play – Loss of hole; Stroke play – Two strokes and the ball must be played as it lies.

17-4. Ball Resting Against Flagstick

When a player's ball rests against the *flagstick* in the *hole* and the ball is not *holed*, the player or another person authorised by him may move or remove the *flagstick*, and if the ball falls into the *hole*, the player is deemed to have *holed* out with his last *stroke*; otherwise, the ball, if *moved*, must be placed on the lip of the *hole*, without penalty.

Ball Moved, Deflected or Stopped

Rule 18

Ball at Rest Moved

Definitions

All defined terms are in *italics* and are listed alphabetically in the Definitions section – see pages 30-43.

18-1. By Outside Agency

If a ball at rest is *moved* by an *outside agency*, there is no penalty and the ball must be replaced.

Note: It is a question of fact whether a ball has been *moved* by an *outside agency*. In order to apply this Rule, it must be known or virtually certain that an *outside agency* has *moved* the ball. In the absence of such knowledge or certainty, the player must play the ball as it lies or, if the ball is not found, proceed under Rule 27-1.

(Player's ball at rest moved by another ball – see Rule 18-5)

18-2. By Player, Partner, Caddie or Equipment

a. General

When a player's ball is *in play*, if:

- (i) the player, his *partner* or either of their *caddies* lifts or moves it, touches it purposely (except with a club in the act of *addressing* it) or causes it to *move* except as permitted by a *Rule*, or
- (ii) *equipment* of the player or his *partner* causes the ball to *move*, the player incurs a penalty of one stroke. If the ball is *moved*, it must be replaced, unless the movement of the ball occurs after the player has begun the *stroke* or the backward movement of the club for the *stroke* and the *stroke* is made.

Under the *Rules* there is no penalty if a player accidentally causes his ball to *move* in the following circumstances:

- In searching for a ball in a *hazard* covered by *loose impediments* or sand, for a ball in an *obstruction* or *abnormal ground condition* or for a ball believed to be in water in a *water hazard* – Rule 12-1
- In repairing a *hole* plug or ball mark – Rule 16-1c
- In measuring – Rule 18-6
- In lifting a ball under a *Rule* – Rule 20-1
- In placing or replacing a ball under a *Rule* – Rule 20-3a
- In removing a *loose impediment* on the *putting green* – Rule 23-1
- In removing movable *obstructions* – Rule 24-1

b. Ball Moving After Address

If a player's ball *in play* moves after he has *addressed* it (other than as a result of a *stroke*), the player is deemed to have *moved* the ball and incurs a penalty of one stroke. The ball must be replaced, unless the movement of the ball occurs after the player has begun the *stroke* or the backward movement of the club for the *stroke* and the *stroke* is made.

18-3. By Opponent, Caddie or Equipment in Match Play

a. During Search

If, during search for a player's ball, an opponent, his *caddie* or his

equipment moves the ball, touches it or causes it to *move*, there is no penalty. If the ball is *moved*, it must be replaced.

b. Other Than During Search

If, other than during search for a player's ball, an opponent, his *caddie* or his *equipment* moves the ball, touches it purposely or causes it to *move*, except as otherwise provided in the *Rules*, **the opponent incurs a penalty of one stroke**. If the ball is *moved*, it must be replaced.

(Playing a wrong ball – see Rule 15-3)

(Ball moved in measuring – see Rule 18-6)

18-4. By Fellow-Competitor, Caddie or Equipment in Stroke Play

If a *fellow-competitor*, his *caddie* or his *equipment* moves the player's ball, touches it or causes it to *move*, there is no penalty. If the ball is *moved*, it must be replaced.

(Playing a wrong ball – see Rule 15-3)

18-5. By Another Ball

If a *ball in play* and at rest is *moved* by another ball in motion after a *stroke*, the *moved* ball must be replaced.

18-6. Ball Moved in Measuring

If a ball or ball-marker is *moved* in measuring while proceeding under or in determining the application of a *Rule*, the ball or ball-marker must be replaced. There is no penalty, provided the movement of the ball or ball-marker is directly attributable to the specific act of measuring. Otherwise, the provisions of Rules 18-2a, 18-3b or 18-4 apply.

***PENALTY FOR BREACH OF RULE:**

Match play – Loss of hole; Stroke play – Two strokes.

*If a player who is required to replace a ball fails to do so, or if he makes a *stroke* at a ball *substituted* under Rule 18 when such *substitution* is not permitted, he incurs the general penalty for breach of Rule 18, but there is no additional penalty under this Rule.

Note 1: If a ball to be replaced under this Rule is not immediately recoverable, another ball may be *substituted*.

Note 2: If the original lie of a ball to be placed or replaced has been altered, see Rule 20-3b.

Note 3: If it is impossible to determine the spot on which a ball is to be placed, see Rule 20-3c.

Rule 19

Ball in Motion Deflected or Stopped

Definitions

All defined terms are in *italics* and are listed alphabetically in the Definitions section – see pages 30-43.

19-1. By Outside Agency

If a player's ball in motion is accidentally deflected or stopped by any *outside agency*, it is a *rub of the green*, there is no penalty and the ball must be played as it lies, except:

- a. If a player's ball in motion after a *stroke* other than on the *putting green* comes to rest in or on any moving or animate *outside agency*, the ball must *through the green* or in a *hazard* be dropped, or on the *putting green* be placed, as near as possible to the spot directly under the place where the ball came to rest in or on the *outside agency*, but not nearer the *hole*, and
- b. If a player's ball in motion after a *stroke* on the *putting green* is deflected or stopped by, or comes to rest in or on, any moving or animate *outside agency*, except a worm, insect or the like, the *stroke* is cancelled. The ball must be replaced and replayed.

If the ball is not immediately recoverable, another ball may be *substituted*.

Exception: Ball striking person attending or holding up *flagstick* or anything carried by him – see Rule 17-3b.

Note: If the *referee* or the *Committee* determines that a player's ball has been purposely deflected or stopped by an *outside agency*, Rule 1-4 applies to the player. If the *outside agency* is a *fellow-competitor* or his *caddie*, Rule 1-2 applies to the *fellow-competitor*.

(Player's ball deflected or stopped by another ball – see Rule 19-5)

19-2. By Player, Partner, Caddie or Equipment

If a player's ball is accidentally deflected or stopped by himself, his *partner* or either of their *caddies* or *equipment*, the player incurs a penalty of one stroke. The ball must be played as it lies, except when it comes to rest in or on the player's, his *partner's* or either of their *caddies'* clothes or *equipment*, in which case the ball must *through the green* or in a *hazard* be dropped, or on the *putting green* be placed, as near as possible to the spot directly under the place where the ball came to rest in or on the article, but not nearer the *hole*.

Exceptions:

1. Ball striking person attending or holding up *flagstick* or anything carried by him – see Rule 17-3b.
2. Dropped ball – see Rule 20-2a.

(Ball purposely deflected or stopped by player, partner or caddie – see Rule 1-2)

19-3. By Opponent, Caddie or Equipment in Match Play

If a player's ball is accidentally deflected or stopped by an opponent, his *caddie* or his *equipment*, there is no penalty. The player may, before another *stroke* is made by either *side*, cancel the *stroke* and play a ball, without penalty, as nearly as possible at the spot from which the original ball was last played (Rule 20-5) or he may play the ball as it lies. However, if the player elects not to cancel the *stroke* and the ball has come to rest in or on the opponent's or his *caddie's* clothes or *equipment*, the ball must *through the green* or in a *hazard* be dropped, or on the *putting green* be placed, as near as possible to the spot directly under the place where the ball came to rest in or on the article, but not nearer the *hole*.

Exception: Ball striking person attending or holding up *flagstick* or anything carried by him – see Rule 17-3b.

(Ball purposely deflected or stopped by opponent or caddie – see Rule 1-2)

19-4. By Fellow-Competitor, Caddie or Equipment in Stroke Play

See Rule 19-1 regarding ball deflected by *outside agency*.

Exception: Ball striking person attending or holding up *flagstick* or anything carried by him – see Rule 17-3b.

19-5. By Another Ball

a. At Rest

If a player's ball in motion after a *stroke* is deflected or stopped by a *ball in play* and at rest, the player must play his ball as it lies. In match play, there is no penalty. In stroke play, there is no penalty, unless both balls lay on the *putting green* prior to the *stroke*, in which case the player incurs a penalty of two strokes.

b. In Motion

If a player's ball in motion after a *stroke* is deflected or stopped by another ball in motion after a *stroke*, the player must play his ball as it lies. There is no penalty, unless the player was in breach of Rule 16-1f, in which case he incurs the penalty for breach of that Rule.

Exception: If the player's ball is in motion after a *stroke* on the *putting green* and the other ball in motion is an *outside agency* – see Rule 19-1b.

PENALTY FOR BREACH OF RULE:

Match play – Loss of hole; Stroke play – Two strokes.

Relief Situations and Procedure

Rule 20

Lifting, Dropping and Placing; Playing from Wrong Place

Definitions

All defined terms are in *italics* and are listed alphabetically in the Definitions section – see pages 30-43.

20-1. Lifting and Marking

A ball to be lifted under the *Rules* may be lifted by the player, his *partner* or another person authorised by the player. In any such case, the player is responsible for any breach of the *Rules*.

The position of the ball must be marked before it is lifted under a *Rule* that requires it to be replaced. If it is not marked, **the player incurs a penalty of one stroke** and the ball must be replaced. If it is not replaced, **the player incurs the general penalty for breach of this Rule** but there is no additional penalty under Rule 20-1.

If a ball or ball-marker is accidentally *moved* in the process of lifting the ball under a *Rule* or marking its position, the ball or ball-marker must be replaced. There is no penalty, provided the movement of the ball or ball-marker is directly attributable to the specific act of marking the position of or lifting the ball. Otherwise, **the player incurs a penalty of one stroke** under this Rule or Rule 18-2a.

Exception: If a player incurs a penalty for failing to act in accordance with Rule 5-3 or 12-2, there is no additional penalty under Rule 20-1.

Note: The position of a ball to be lifted should be marked by placing a ball-marker, a small coin or other similar object immediately behind the ball. If the ball-marker interferes with the play, *stance* or *stroke* of another player, it should be placed one or more clubhead-lengths to one side.

20-2. Dropping and Re-Dropping

a. By Whom and How

A ball to be dropped under the *Rules* must be dropped by the player himself. He must stand erect, hold the ball at shoulder height and arm's length and drop it. If a ball is dropped by any other person or in any other manner and the error is not corrected as provided in Rule 20-6, **the player incurs a penalty of one stroke**.

If the ball, when dropped, touches any person or the *equipment* of any player before or after it strikes a part of the *course* and before it comes to rest, the ball must be re-dropped, without penalty. There is no limit to the number of times a ball must be re-dropped in these circumstances. (Taking action to influence position or movement of ball – see Rule 1-2)

b. Where to Drop

When a ball is to be dropped as near as possible to a specific spot, it must be dropped not nearer the *hole* than the specific spot which, if it

is not precisely known to the player; must be estimated.

A ball when dropped must first strike a part of the *course* where the applicable *Rule* requires it to be dropped. If it is not so dropped, Rules 20-6 and 20-7 apply.

c. When to Re-Drop

A dropped ball must be re-dropped, without penalty, if it:

- (i) rolls into and comes to rest in a *hazard*;
- (ii) rolls out of and comes to rest outside a *hazard*;
- (iii) rolls onto and comes to rest on a *putting green*;
- (iv) rolls and comes to rest *out of bounds*;
- (v) rolls to and comes to rest in a position where there is interference by the condition from which relief was taken under Rule 24-2b (immovable obstruction), Rule 25-1 (abnormal ground conditions), Rule 25-3 (wrong putting green) or a Local Rule (Rule 33-8a), or rolls back into the pitch-mark from which it was lifted under Rule 25-2 (embedded ball);
- (vi) rolls and comes to rest more than two club-lengths from where it first struck a part of the *course*; or
- (vii) rolls and comes to rest nearer the *hole* than:
 - (a) its original position or estimated position (see Rule 20-2b) unless otherwise permitted by the *Rules*; or
 - (b) the *nearest point of relief* or maximum available relief (Rule 24-2, 25-1 or 25-3); or
 - (c) the point where the original ball last crossed the margin of the *water hazard* or *lateral water hazard* (Rule 26-1).

If the ball when re-dropped rolls into any position listed above, it must be placed as near as possible to the spot where it first struck a part of the *course* when re-dropped.

Note I: If a ball when dropped or re-dropped comes to rest and subsequently *moves*, the ball must be played as it lies, unless the provisions of any other *Rule* apply.

Note 2: If a ball to be re-dropped or placed under this Rule is not immediately recoverable, another ball may be *substituted*.

(Use of dropping zone – see Appendix I; Part B; section 8)

20-3. Placing and Replacing

a. By Whom and Where

A ball to be placed under the *Rules* must be placed by the player or his *partner*. If a ball is to be replaced, the player, his *partner* or the person who lifted or *moved* it must place it on the spot from which it was lifted or *moved*. If the ball is placed or replaced by any other person and the error is not corrected as provided in Rule 20-6, **the player incurs a penalty of one stroke**. In any such case, the player is responsible for any other breach of the *Rules* that occurs as a result of the placing or replacing of the ball.

If a ball or ball-marker is accidentally *moved* in the process of placing or replacing the ball, the ball or ball-marker must be replaced. There is no penalty, provided the movement of the ball or ball-marker is directly attributable to the specific act of placing or replacing the ball or removing the ball-marker. Otherwise, **the player incurs a penalty of one stroke** under Rule 18-2a or 20-1.

If a ball to be replaced is placed other than on the spot from which it was lifted or *moved* and the error is not corrected as provided in Rule 20-6, **the player incurs the general penalty, loss of hole in match play or two strokes in stroke play, for a breach of the applicable Rule**.

b. Lie of Ball to be Placed or Replaced Altered

If the original lie of a ball to be placed or replaced has been altered:

- (i) except in a *hazard*, the ball must be placed in the nearest lie most similar to the original lie that is not more than one club-length from the original lie, not nearer the *hole* and not in a *hazard*;
- (ii) in a *water hazard*, the ball must be placed in accordance with Clause (i) above, except that the ball must be placed in the *water hazard*;
- (iii) in a *bunker*, the original lie must be re-created as nearly as possible and the ball must be placed in that lie.

c. Spot Not Determinable

If it is impossible to determine the spot where the ball is to be placed or replaced:

- (i) *through the green*, the ball must be dropped as near as possible to the place where it lay but not in a *hazard* or on a *putting green*;
- (ii) in a *hazard*, the ball must be dropped in the *hazard* as near as possible to the place where it lay;
- (iii) on the *putting green*, the ball must be placed as near as possible to the place where it lay but not in a *hazard*.

Exception: When resuming play (Rule 6-8d), if the spot where the ball is to be placed is impossible to determine, it must be estimated and the ball placed on the estimated spot.

d. Ball Fails to Come to Rest on Spot

If a ball when placed fails to come to rest on the spot on which it was placed, there is no penalty and the ball must be replaced. If it still fails to come to rest on that spot:

- (i) except in a *hazard*, it must be placed at the nearest spot where it can be placed at rest that is not nearer the *hole* and not in a *hazard*;
- (ii) in a *hazard*, it must be placed in the *hazard* at the nearest spot where it can be placed at rest that is not nearer the *hole*.

If a ball when placed comes to rest on the spot on which it is placed, and it subsequently *moves*, there is no penalty and the ball must be played as it lies, unless the provisions of any other *Rule* apply.

PENALTY FOR BREACH OF RULE 20-1, 20-2 or 20-3:

Match play – Loss of hole; Stroke play – Two strokes.

20-4. When Ball Dropped or Placed is in Play

If the player's *ball in play* has been lifted, it is again in play when dropped or placed.

A *substituted ball* becomes the *ball in play* when it has been dropped or placed.

(Ball incorrectly substituted – see Rule 15-2)

(Lifting ball incorrectly substituted, dropped or placed – see Rule 20-6)

20-5. Making Next Stroke from Where Previous Stroke Made

When a player elects or is required to make his next *stroke* from where a previous *stroke* was made, he must proceed as follows:

- (a) On the Teeing Ground: The ball to be played must be played from within the *teeing ground*. It may be played from anywhere within the *teeing ground* and may be teed.
- (b) Through the Green: The ball to be played must be dropped and when dropped must first strike a part of the *course through the green*.
- (c) In a Hazard: The ball to be played must be dropped and when dropped must first strike a part of the *course* in the *hazard*.
- (d) On the Putting Green: The ball to be played must be placed on the *putting green*.

PENALTY FOR BREACH OF RULE 20-5:

Match play – Loss of hole; Stroke play – Two strokes.

20-6. Lifting Ball Incorrectly Substituted, Dropped or Placed

A ball incorrectly *substituted*, dropped or placed in a wrong place or otherwise not in accordance with the *Rules* but not played may be lifted, without penalty, and the player must then proceed correctly.

20-7. Playing from Wrong Place

a. General

A player has played from a wrong place if he makes a *stroke* at his *ball in play*:

- (i) on a part of the *course* where the *Rules* do not permit a *stroke* to be played or a ball to be dropped or placed; or
- (ii) when the *Rules* require a dropped ball to be re-dropped or a *moved* ball to be replaced.

Note: For a ball played from outside the *teeing ground* or from a wrong *teeing ground* – see Rule 11-4.

b. Match Play

If a player makes a *stroke* from a wrong place, [he loses the hole](#).

c. Stroke Play

If a *competitor* makes a *stroke* from a wrong place, [he incurs a penalty of two strokes under the applicable Rule](#). He must play out the hole with the ball played from the wrong place, without correcting his error; provided he has not committed a serious breach (see Note 1).

If a *competitor* becomes aware that he has played from a wrong place and believes that he may have committed a serious breach, he must, before making a *stroke* on the next *teeing ground*, play out the hole with a second ball played in accordance with the *Rules*. If the hole being played is the last hole of the round, he must declare, before leaving the *putting green*, that he will play out the hole with a second ball played in accordance with the *Rules*.

If the *competitor* has played a second ball, he must report the facts to the *Committee* before returning his score card; if he fails to do so, [he is disqualified](#). The *Committee* must determine whether the *competitor* has committed a serious breach of the applicable *Rule*. If he has, the score with the second ball counts and [the competitor must add two penalty strokes](#) to his score with that ball. If the *competitor* has committed a serious breach and has failed to correct it as outlined above, [he is disqualified](#).

Note 1: A *competitor* is deemed to have committed a serious breach of the applicable *Rule* if the *Committee* considers he has gained a significant advantage as a result of playing from a wrong place.

Note 2: If a *competitor* plays a second ball under Rule 20-7c and it is ruled not to count, *strokes* made with that ball and *penalty strokes* incurred solely by playing that ball are disregarded. If the second ball is ruled to count, the *stroke* made from the wrong place and any *strokes* subsequently taken with the original ball including *penalty strokes* incurred solely by playing that ball are disregarded.

Note 3: If a player incurs a penalty for making a *stroke* from a wrong place, there is no additional penalty for *substituting* a ball when not permitted.

Rule 21 Cleaning Ball

Definitions

All defined terms are in *italics* and are listed alphabetically in the Definitions section – see pages 30-43.

A ball on the *putting green* may be cleaned when lifted under Rule 16-1b. Elsewhere, a ball may be cleaned when lifted, except when it has been lifted:

- a. To determine if it is unfit for play (Rule 5-3);
- b. For identification (Rule 12-2), in which case it may be cleaned only to the extent necessary for identification; or
- c. Because it is assisting or interfering with play (Rule 22).

If a player cleans his ball during play of a hole except as provided in this Rule, he incurs a penalty of one stroke and the ball, if lifted, must be replaced.

If a player who is required to replace a ball fails to do so, he incurs the general penalty under the applicable Rule, but there is no additional penalty under Rule 21.

Exception: If a player incurs a penalty for failing to act in accordance with Rule 5-3, 12-2 or 22, there is no additional penalty under Rule 21.

Rule 22 Ball Assisting or Interfering with Play

Definitions

All defined terms are in *italics* and are listed alphabetically in the Definitions section – see pages 30-43.

22-1. Ball Assisting Play

Except when a ball is in motion, if a player considers that a ball might assist any other player, he may:

- a. Lift the ball if it is his ball; or

b. Have any other ball lifted.

A ball lifted under this Rule must be replaced (see Rule 20-3). The ball must not be cleaned, unless it lies on the *putting green* (see Rule 21).

In stroke play, a player required to lift his ball may play first rather than lift the ball.

In stroke play, if the *Committee* determines that *competitors* have agreed not to lift a ball that might assist any *competitor*, they are disqualified.

22-2. Ball Interfering with Play

Except when a ball is in motion, if a player considers that another ball might interfere with his play, he may have it lifted.

A ball lifted under this Rule must be replaced (see Rule 20-3). The ball must not be cleaned, unless it lies on the *putting green* (see Rule 21).

In stroke play, a player required to lift his ball may play first rather than lift the ball.

Note: Except on the *putting green*, a player may not lift his ball solely because he considers that it might interfere with the play of another player. If a player lifts his ball without being asked to do so, he incurs a penalty of one stroke for a breach of Rule 18-2a, but there is no additional penalty under Rule 22.

PENALTY FOR BREACH OF RULE:

Match play – Loss of hole; Stroke play – Two strokes.

Rule 23

Loose Impediments

Definitions

All defined terms are in *italics* and are listed alphabetically in the Definitions section – see pages 30-43.

23-1. Relief

Except when both the *loose impediment* and the ball lie in or touch the same *hazard*, any *loose impediment* may be removed without penalty.

If the ball lies anywhere other than on the *putting green* and the removal of a *loose impediment* by the player causes the ball to *move*, Rule 18-2a applies.

On the *putting green*, if the ball or ball-marker is accidentally *moved* in the process of the player removing a *loose impediment*, the ball or ball-marker must be replaced. There is no penalty, provided the movement of the ball or ball-marker is directly attributable to the removal of the *loose impediment*. Otherwise, if the player causes the ball to *move*, he incurs a penalty of one stroke under Rule 18-2a.

When a ball is in motion, a *loose impediment* that might influence the movement of the ball must not be removed.

Note: If the ball lies in a *hazard*, the player must not touch or move any *loose impediment* lying in or touching the same *hazard* – see Rule 13-4c.

PENALTY FOR BREACH OF RULE:

Match play – Loss of hole; Stroke play – Two strokes.

(Searching for ball in hazard – see Rule 12-1)

(Touching line of putt – see Rule 16-1a)

Rule 24

Obstructions

Definitions

All defined terms are in *italics* and are listed alphabetically in the Definitions section – see pages 30-43.

24-1. Movable Obstruction

A player may take relief, without penalty, from a movable *obstruction* as follows:

- a. If the ball does not lie in or on the *obstruction*, the *obstruction* may be removed. If the ball *moves*, it must be replaced, and there is no penalty, provided that the movement of the ball is directly attributable to the removal of the *obstruction*. Otherwise, Rule 18-2a applies.

- b. If the ball lies in or on the *obstruction*, the ball may be lifted and the *obstruction* removed. The ball must *through the green* or in a *hazard* be dropped, or on the *putting green* be placed, as near as possible to the spot directly under the place where the ball lay in or on the *obstruction*, but not nearer the *hole*.

The ball may be cleaned when lifted under this Rule.

When a ball is in motion, an *obstruction* that might influence the movement of the ball, other than *equipment* of any player or the *flagstick* when attended, removed or held up, must not be moved.

(Exerting influence on ball – see Rule 1-2)

Note: If a ball to be dropped or placed under this Rule is not immediately recoverable, another ball may be *substituted*.

24-2. Immovable Obstruction

a. Interference

Interference by an immovable *obstruction* occurs when a ball lies in or on the *obstruction*, or when the *obstruction* interferes with the player's *stance* or the area of his intended swing. If the player's ball lies on the *putting green*, interference also occurs if an immovable *obstruction* on the *putting green* intervenes on his *line of putt*. Otherwise, intervention on the *line of play* is not, of itself, interference under this Rule.

b. Relief

Except when the ball is in a *water hazard* or a *lateral water hazard*, a player may take relief from interference by an immovable *obstruction* as follows:

- (i) Through the Green: If the ball lies *through the green*, the player must lift the ball and drop it, without penalty, within one club-length of and not nearer the *hole* than the *nearest point of relief*. The *nearest point of relief* must not be in a *hazard* or on a *putting green*. When the ball is dropped within one club-length of the *nearest point of relief*, the ball must first strike a part of the *course* at a spot that avoids interference by the immovable *obstruction* and is not in a *hazard* and not on a *putting green*.

- (ii) In a Bunker: If the ball is in a *bunker*, the player must lift the ball and drop it either:
- (a) Without penalty, in accordance with Clause (i) above, except that the *nearest point of relief* must be in the *bunker* and the ball must be dropped in the *bunker*, or
 - (b) **Under penalty of one stroke**, outside the *bunker* keeping the point where the ball lay directly between the *hole* and the spot on which the ball is dropped, with no limit to how far behind the *bunker* the ball may be dropped.
- (iii) On the Putting Green: If the ball lies on the *putting green*, the player must lift the ball and place it, without penalty, at the *nearest point of relief* that is not in a *hazard*. The *nearest point of relief* may be off the *putting green*.
- (iv) On the Teeing Ground: If the ball lies on the *teeing ground*, the player must lift the ball and drop it, without penalty, in accordance with Clause (i) above.

The ball may be cleaned when lifted under this Rule.

(Ball rolling to a position where there is interference by the condition from which relief was taken – see Rule 20-2c(v))

Exception: A player may not take relief under this Rule if (a) it is clearly unreasonable for him to make a *stroke* because of interference by anything other than an immovable *obstruction* or (b) interference by an immovable *obstruction* would occur only through use of an unnecessarily abnormal *stance*, swing or direction of play.

Note 1: If a ball is in a *water hazard* (including a *lateral water hazard*), the player may not take relief from interference by an immovable *obstruction*. The player must play the ball as it lies or proceed under Rule 26-1.

Note 2: If a ball to be dropped or placed under this Rule is not immediately recoverable, another ball may be *substituted*.

Note 3: The *Committee* may make a Local Rule stating that the player must determine the *nearest point of relief* without crossing over, through or under the *obstruction*.

24-3. Ball in Obstruction Not Found

It is a question of fact whether a ball that has not been found after having been struck toward an *obstruction* is in the *obstruction*. In order to apply this Rule, it must be known or virtually certain that the ball is in the *obstruction*. In the absence of such knowledge or certainty, the player must proceed under Rule 27-1.

a. Ball in Movable Obstruction Not Found

If it is known or virtually certain that a ball that has not been found is in a movable *obstruction*, the player may *substitute* another ball and take relief, without penalty, under this Rule. If he elects to do so, he must remove the *obstruction* and *through the green* or in a *hazard* drop a ball, or on the *putting green* place a ball, as near as possible to the spot directly under the place where the ball last crossed the outermost limits of the movable *obstruction*, but not nearer the hole.

b. Ball in Immovable Obstruction Not Found

If it is known or virtually certain that a ball that has not been found is in an immovable *obstruction*, the player may take relief under this Rule. If he elects to do so, the spot where the ball last crossed the outermost limits of the *obstruction* must be determined and, for the purpose of applying this Rule, the ball is deemed to lie at this spot and the player must proceed as follows:

- (i) **Through the Green:** If the ball last crossed the outermost limits of the immovable *obstruction* at a spot *through the green*, the player may *substitute* another ball, without penalty, and take relief as prescribed in Rule 24-2b(i).
- (ii) **In a Bunker:** If the ball last crossed the outermost limits of the immovable *obstruction* at a spot in a *bunker*, the player may *substitute* another ball, without penalty, and take relief as prescribed in Rule 24-2b(ii).
- (iii) **In a Water Hazard (including a Lateral Water Hazard):** If the ball last crossed the outermost limits of the immovable *obstruction* at a spot in a *water hazard*, the player is not entitled to relief without penalty. The player must proceed under Rule 26-1.

- (iv) On the Putting Green: If the ball last crossed the outermost limits of the immovable *obstruction* at a spot on the *putting green*, the player may *substitute* another ball, without penalty, and take relief as prescribed in Rule 24-2b(iii).

PENALTY FOR BREACH OF RULE:

Match play – Loss of hole; Stroke play – Two strokes.

Rule 25

Abnormal Ground Conditions, Embedded Ball and Wrong Putting Green

Definitions

All defined terms are in *italics* and are listed alphabetically in the Definitions section – see pages 30-43.

25-1. Abnormal Ground Conditions

a. Interference

Interference by an *abnormal ground condition* occurs when a ball lies in or touches the condition or when the condition interferes with the player's *stance* or the area of his intended swing. If the player's ball lies on the *putting green*, interference also occurs if an *abnormal ground condition* on the *putting green* intervenes on his *line of putt*. Otherwise, intervention on the *line of play* is not, of itself, interference under this Rule.

Note: The *Committee* may make a Local Rule stating that interference by an *abnormal ground condition* with a player's *stance* is deemed not to be, of itself, interference under this Rule.

b. Relief

Except when the ball is in a *water hazard* or a *lateral water hazard*, a player may take relief from interference by an *abnormal ground condition* as follows:

- (i) Through the Green: If the ball lies *through the green*, the player must lift the ball and drop it, without penalty, within one club-length of and not nearer the *hole* than the *nearest point of relief*. The *nearest point of relief* must not be in a *hazard* or on a *putting green*.

When the ball is dropped within one club-length of the *nearest point of relief*, the ball must first strike a part of the *course* at a spot that avoids interference by the condition and is not in a *hazard* and not on a *putting green*.

- (ii) In a Bunker: If the ball is in a *bunker*, the player must lift the ball and drop it either:
- (a) Without penalty, in accordance with Clause (i) above, except that the *nearest point of relief* must be in the *bunker* and the ball must be dropped in the *bunker* or, if complete relief is impossible, as near as possible to the spot where the ball lay, but not nearer the *hole*, on a part of the *course* in the *bunker* that affords maximum available relief from the condition; or
 - (b) **Under penalty of one stroke**, outside the *bunker* keeping the point where the ball lay directly between the *hole* and the spot on which the ball is dropped, with no limit to how far behind the *bunker* the ball may be dropped.
- (iii) On the Putting Green: If the ball lies on the *putting green*, the player must lift the ball and place it, without penalty, at the *nearest point of relief* that is not in a *hazard* or, if complete relief is impossible, at the nearest position to where it lay that affords maximum available relief from the condition, but not nearer the *hole* and not in a *hazard*. The *nearest point of relief* or maximum available relief may be off the *putting green*.
- (iv) On the Teeing Ground: If the ball lies on the *teeing ground*, the player must lift the ball and drop it, without penalty, in accordance with Clause (i) above.

The ball may be cleaned when lifted under Rule 25-1b.

(Ball rolling to a position where there is interference by the condition from which relief was taken – see Rule 20-2c(v))

Exception: A player may not take relief under this Rule if (a) it is clearly unreasonable for him to make a *stroke* because of interference by anything other than an *abnormal ground condition* or (b) interference

by an *abnormal ground condition* would occur only through use of an unnecessarily abnormal stance, swing or direction of play.

Note 1: If a ball is in a *water hazard* (including a *lateral water hazard*), the player is not entitled to relief, without penalty, from interference by an *abnormal ground condition*. The player must play the ball as it lies (unless prohibited by Local Rule) or proceed under Rule 26-1.

Note 2: If a ball to be dropped or placed under this Rule is not immediately recoverable, another ball may be *substituted*.

c. Ball in Abnormal Ground Condition Not Found

It is a question of fact whether a ball that has not been found after having been struck toward an *abnormal ground condition* is in such a condition. In order to apply this Rule, it must be known or virtually certain that the ball is in the *abnormal ground condition*. In the absence of such knowledge or certainty, the player must proceed under Rule 27-1.

If it is known or virtually certain that a ball that has not been found is in an *abnormal ground condition*, the player may take relief under this Rule. If he elects to do so, the spot where the ball last crossed the outermost limits of the *abnormal ground condition* must be determined and, for the purpose of applying this Rule, the ball is deemed to lie at this spot and the player must proceed as follows:

- (i) Through the Green: If the ball last crossed the outermost limits of the *abnormal ground condition* at a spot *through the green*, the player may *substitute* another ball, without penalty, and take relief as prescribed in Rule 25-1b(i).
- (ii) In a Bunker: If the ball last crossed the outermost limits of the *abnormal ground condition* at a spot in a *bunker*, the player may *substitute* another ball, without penalty, and take relief as prescribed in Rule 25-1b(ii).
- (iii) In a Water Hazard (including a Lateral Water Hazard): If the ball last crossed the outermost limits of the *abnormal ground condition* at a spot in a *water hazard*, the player is not entitled to relief without penalty. The player must proceed under Rule 26-1.

- (iv) On the Putting Green: If the ball last crossed the outermost limits of the *abnormal ground condition* at a spot on the *putting green*, the player may *substitute* another ball, without penalty, and take relief as prescribed in Rule 25-1b(iii).

25-2. Embedded Ball

A ball embedded in its own pitch-mark in the ground in any closely-mown area *through the green* may be lifted, cleaned and dropped, without penalty, as near as possible to the spot where it lay but not nearer the *hole*. The ball when dropped must first strike a part of the *course through the green*. "Closely-mown area" means any area of the *course*, including paths through the rough, cut to fairway height or less.

25-3. Wrong Putting Green

a. Interference

Interference by a *wrong putting green* occurs when a ball is on the *wrong putting green*.

Interference to a player's *stance* or the area of his intended swing is not, of itself, interference under this Rule.

b. Relief

If a player's ball lies on a *wrong putting green*, he must not play the ball as it lies. He must take relief, without penalty, as follows:

The player must lift the ball and drop it within one club-length of and not nearer the *hole* than the *nearest point of relief*. The *nearest point of relief* must not be in a *hazard* or on a *putting green*. When dropping the ball within one club-length of the *nearest point of relief*, the ball must first strike a part of the *course* at a spot that avoids interference by the *wrong putting green* and is not in a *hazard* and not on a *putting green*. The ball may be cleaned when lifted under this Rule.

PENALTY FOR BREACH OF RULE:

Match play – Loss of hole; Stroke play – Two strokes.

Rule 26

Water Hazards
(Including Lateral Water Hazards)

Definitions

All defined terms are in *italics* and are listed alphabetically in the Definitions section – see pages 30-43.

26-1. Relief for Ball in Water Hazard

It is a question of fact whether a ball that has not been found after having been struck toward a *water hazard* is in the *hazard*. In order to apply this Rule, it must be known or virtually certain that the ball is in the *hazard*. In the absence of such knowledge or certainty, the player must proceed under Rule 27-1.

If a ball is in a *water hazard* or if it is known or virtually certain that a ball that has not been found is in a *water hazard* (whether the ball lies in water or not), the player may **under penalty of one stroke**:

- a. Play a ball as nearly as possible at the spot from which the original ball was last played (see Rule 20-5); or
- b. Drop a ball behind the *water hazard*, keeping the point at which the original ball last crossed the margin of the *water hazard* directly between the *hole* and the spot on which the ball is dropped, with no limit to how far behind the *water hazard* the ball may be dropped; or
- c. As additional options available only if the ball last crossed the margin of a *lateral water hazard*, drop a ball outside the *water hazard* within two club-lengths of and not nearer the *hole* than (i) the point where the original ball last crossed the margin of the *water hazard* or (ii) a point on the opposite margin of the *water hazard* equidistant from the *hole*.

When proceeding under this Rule, the player may lift and clean his ball or *substitute* a ball.

(Prohibited actions when ball is in a hazard – see Rule 13-4)

(Ball moving in water in a water hazard – see Rule 14-6)

26-2. Ball Played Within Water Hazard

a. Ball Comes to Rest in Same or Another Water Hazard

If a ball played from within a *water hazard* comes to rest in the same or another *water hazard* after the *stroke*, the player may:

- (i) proceed under Rule 26-1a. If, after dropping in the *hazard*, the player elects not to play the dropped ball, he may:
 - (a) proceed under Rule 26-1b, or if applicable Rule 26-1c, adding the **additional penalty of one stroke** prescribed by the Rule and using as the reference point the point where the original ball last crossed the margin of this *hazard* before it came to rest in this *hazard*; or
 - (b) **add an additional penalty of one stroke** and play a ball as nearly as possible at the spot from which the last *stroke* from outside a *water hazard* was made (see Rule 20-5); or
- (ii) proceed under Rule 26-1b, or if applicable Rule 26-1c; or
- (iii) **under penalty of one stroke**, play a ball as nearly as possible at the spot from which the last *stroke* from outside a *water hazard* was made (see Rule 20-5).

b. Ball Lost or Unplayable Outside Hazard or Out of Bounds

If a ball played from within a *water hazard* is *lost* or deemed unplayable outside the *hazard* or is *out of bounds*, the player may, after taking a **penalty of one stroke** under Rule 27-1 or 28a:

- (i) play a ball as nearly as possible at the spot in the *hazard* from which the original ball was last played (see Rule 20-5); or
- (ii) proceed under Rule 26-1b, or if applicable Rule 26-1c, **adding the additional penalty of one stroke** prescribed by the Rule and using as the reference point the point where the original ball last crossed the margin of the *hazard* before it came to rest in the *hazard*; or
- (iii) **add an additional penalty of one stroke** and play a ball as nearly as possible at the spot from which the last *stroke* from outside a *water hazard* was made (see Rule 20-5).

Note 1: When proceeding under Rule 26-2b, the player is not required to drop a ball under Rule 27-1 or 28a. If he does drop a ball, he is not required to play it. He may alternatively proceed under Rule 26-2b(ii) or (iii).

Note 2: If a ball played from within a *water hazard* is deemed unplayable outside the *hazard*, nothing in Rule 26-2b precludes the player from proceeding under Rule 28b or c.

PENALTY FOR BREACH OF RULE:

Match play – Loss of hole; Stroke play – Two strokes.

Rule 27

Ball Lost or Out of Bounds; Provisional Ball

Definitions

All defined terms are in *italics* and are listed alphabetically in the Definitions section – see pages 30-43.

27-1. Stroke and Distance; Ball Out of Bounds; Ball Not Found Within Five Minutes

a. Proceeding Under Stroke and Distance

At any time, a player may, **under penalty of one stroke**, play a ball as nearly as possible at the spot from which the original ball was last played (see Rule 20-5), i.e. proceed under penalty of stroke and distance.

Except as otherwise provided in the *Rules*, if a player makes a *stroke* at a ball from the spot at which the original ball was last played, he is deemed to have proceeded **under penalty of stroke and distance**.

b. Ball Out of Bounds

If a ball is *out of bounds*, the player must play a ball, **under penalty of one stroke**, as nearly as possible at the spot from which the original ball was last played (see Rule 20-5).

c. Ball Not Found Within Five Minutes

If a ball is *lost* as a result of not being found or identified as his by the player within five minutes after the player's *side* or his or their *caddies*

have begun to search for it, the player must play a ball, **under penalty of one stroke**, as nearly as possible at the spot from which the original ball was last played (see Rule 20-5).

Exceptions:

1. If it is known or virtually certain that the original ball that has not been found is in an *obstruction* (Rule 24-3) or is in an *abnormal ground condition* (Rule 25-1c), the player may proceed under the applicable Rule.
2. If it is known or virtually certain that the original ball that has not been found has been moved by an *outside agency* (Rule 18-1) or is in a *water hazard* (Rule 26-1), the player must proceed under the applicable Rule.

PENALTY FOR BREACH OF RULE 27-1:

Match play – Loss of hole; Stroke play – Two strokes.

27-2. Provisional Ball

a. Procedure

If a ball may be *lost* outside a *water hazard* or may be *out of bounds*, to save time the player may play another ball provisionally in accordance with Rule 27-1. The player must inform his opponent in match play or his *marker* or a *fellow-competitor* in stroke play that he intends to play a *provisional ball*, and he must play it before he or his *partner* goes forward to search for the original ball.

If he fails to do so and plays another ball, that ball is not a *provisional ball* and becomes the *ball in play* **under penalty of stroke and distance** (Rule 27-1); the original ball is *lost*.

(Order of play from teeing ground – see Rule 10-3)

Note: If a *provisional ball* played under Rule 27-2a might be *lost* outside a *water hazard* or *out of bounds*, the player may play another *provisional ball*. If another *provisional ball* is played, it bears the same relationship to the previous *provisional ball* as the first *provisional ball* bears to the original ball.

b. When Provisional Ball Becomes Ball in Play

The player may play a *provisional ball* until he reaches the place where the original ball is likely to be. If he makes a *stroke* with the *provisional ball* from the place where the original ball is likely to be or from a point nearer the *hole* than that place, the original ball is *lost* and the *provisional ball* becomes the *ball in play* under penalty of stroke and distance (Rule 27-1).

If the original ball is *lost* outside a *water hazard* or is *out of bounds*, the *provisional ball* becomes the *ball in play*, under penalty of stroke and distance (Rule 27-1).

If it is known or virtually certain that the original ball is in a *water hazard*, the player must proceed in accordance with Rule 26-1.

Exception: If it is known or virtually certain that the original ball is in an *obstruction* (Rule 24-3) or an *abnormal ground condition* (Rule 25-1c), the player may proceed under the applicable Rule.

c. When Provisional Ball to be Abandoned

If the original ball is neither *lost* nor *out of bounds*, the player must abandon the *provisional ball* and continue play with the original ball. If he makes any further *strokes* at the *provisional ball*, he is playing a *wrong ball* and the provisions of Rule 15-3 apply.

Note: If a player plays a *provisional ball* under Rule 27-2a, the *strokes* made after this Rule has been invoked with a *provisional ball* subsequently abandoned under Rule 27-2c and *penalty strokes* incurred solely by playing that ball are disregarded.

Rule 28 Ball Unplayable

Definitions

All defined terms are in *italics* and are listed alphabetically in the Definitions section – see pages 30-43.

The player may deem his ball unplayable at any place on the *course*, except when the ball is in a *water hazard*. The player is the sole judge as to whether his ball is unplayable.

If the player deems his ball to be unplayable, he must **under penalty of one stroke**:

- a. Play a ball as nearly as possible at the spot from which the original ball was last played (see Rule 20-5); or
- b. Drop a ball behind the point where the ball lay, keeping that point directly between the *hole* and the spot on which the ball is dropped, with no limit to how far behind that point the ball may be dropped; or
- c. Drop a ball within two club-lengths of the spot where the ball lay, but not nearer the *hole*.

If the unplayable ball is in a *bunker*, the player may proceed under Clause a, b or c. If he elects to proceed under Clause b or c, a ball must be dropped in the *bunker*.

When proceeding under this Rule, the player may lift and clean his ball or *substitute* a ball.

PENALTY FOR BREACH OF RULE:

Match play – Loss of hole; Stroke play – Two strokes.

Other Forms of Play

Rule 29

Threesomes and Foursomes

Definitions

All defined terms are in *italics* and are listed alphabetically in the Definitions section – see pages 30-43.

29-1. General

In a *threesome* or a *foursome* , during any *stipulated round* the *partners* must play alternately from the *teeing grounds* and alternately during the play of each hole. *Penalty strokes* do not affect the order of play.

29-2. Match Play

If a player plays when his *partner* should have played, *his side* loses the hole.

29-3. Stroke Play

If the *partners* make a *stroke* or *strokes* in incorrect order, such *stroke* or *strokes* are cancelled and *the side* incurs a penalty of two strokes. The *side* must correct the error by playing a ball in correct order as nearly as possible at the spot from which it first played in incorrect order (see Rule 20-5). If the *side* makes a *stroke* on the next *teeing ground* without first correcting the error or, in the case of the last hole of the round, leaves the *putting green* without declaring its intention to correct the error, *the side* is disqualified.

Rule 30 Three-Ball, Best-Ball and Four-Ball Match Play

Definitions

All defined terms are in *italics* and are listed alphabetically in the Definitions section – see pages 30-43.

30-1. Rules of Golf Apply

The Rules of Golf, so far as they are not at variance with the following specific Rules, apply to *three-ball*, *best-ball* and *four-ball matches*.

30-2. Three-Ball Match Play

a. Ball at Rest Moved by an Opponent

Except as otherwise provided in the *Rules*, if the player's ball is touched or *moved* by an opponent, his *caddie* or *equipment* other than during search, Rule 18-3b applies. *That opponent* incurs a penalty of one stroke in his match with the *player*, but not in his match with the other opponent.

b. Ball Deflected or Stopped by an Opponent Accidentally

If a player's ball is accidentally deflected or stopped by an opponent, his *caddie* or *equipment*, there is no penalty. In his match with that

opponent the player may, before another *stroke* is made by either *side*, cancel the *stroke* and play a ball, without penalty, as nearly as possible at the spot from which the original ball was last played (see Rule 20-5) or he may play the ball as it lies. In his match with the other opponent, the ball must be played as it lies.

Exception: Ball striking person attending or holding up *flagstick* or anything carried by him – see Rule 17-3b.

(Ball purposely deflected or stopped by opponent – see Rule 1-2)

30-3. Best-Ball and Four-Ball Match Play

a. Representation of Side

A *side* may be represented by one *partner* for all or any part of a match; all *partners* need not be present. An absent *partner* may join a match between holes, but not during play of a hole.

b. Order of Play

Balls belonging to the same *side* may be played in the order the *side* considers best.

c. Wrong Ball

If a player incurs the loss of hole penalty under Rule 15-3a for making a *stroke* at a *wrong ball*, he is disqualified for that hole, but his *partner* incurs no penalty even if the *wrong ball* belongs to him. If the *wrong ball* belongs to another player, its owner must place a ball on the spot from which the *wrong ball* was first played.

d. Penalty to Side

A *side* is penalised for a breach of any of the following by any *partner*:

- Rule 4 Clubs
- Rule 6-4 Caddie
- Any Local Rule or Condition of Competition for which the penalty is an adjustment to the state of the match.

e. Disqualification of Side

(i) A *side is disqualified* if any *partner* incurs a penalty of disqualification under any of the following:

- Rule 1-3 Agreement to Waive Rules
- Rule 4 Clubs
- Rule 5-1 or 5-2 The Ball
- Rule 6-2a Handicap
- Rule 6-4 Caddie
- Rule 6-7 Undue Delay; Slow Play
- Rule 11-1 Teeing
- Rule 14-3 Artificial Devices, Unusual Equipment and Unusual Use of Equipment
- Rule 33-7 Disqualification Penalty Imposed by Committee

(ii) A *side is disqualified* if all *partners* incur a penalty of disqualification under any of the following:

- Rule 6-3 Time of Starting and Groups
- Rule 6-8 Discontinuance of Play

(iii) In all other cases where a breach of a *Rule* would result in disqualification, *the player is disqualified for that hole only*.

f. Effect of Other Penalties

If a player's breach of a *Rule* assists his *partner's* play or adversely affects an opponent's play, *the partner incurs the applicable penalty in addition to any penalty incurred by the player*.

In all other cases where a player incurs a penalty for breach of a *Rule*, the penalty does not apply to his *partner*. Where the penalty is stated to be loss of hole, the effect is to disqualify the player for that hole.

Rule 31 Four-Ball Stroke Play

Definitions

All defined terms are in *italics* and are listed alphabetically in the Definitions section – see pages 30-43.

31-1. General

The Rules of Golf, so far as they are not at variance with the following specific Rules, apply to *four-ball* stroke play.

31-2. Representation of Side

A *side* may be represented by either *partner* for all or any part of a *stipulated round*; both *partners* need not be present. An absent *competitor* may join his *partner* between holes, but not during play of a hole.

31-3. Scoring

The *marker* is required to record for each hole only the gross score of whichever *partner's* score is to count. The gross scores to count must be individually identifiable; otherwise, **the side is disqualified**. Only one of the *partners* need be responsible for complying with Rule 6-6b.

(Wrong score – see Rule 31-7a)

31-4. Order of Play

Balls belonging to the same *side* may be played in the order the *side* considers best.

31-5. Wrong Ball

If a *competitor* is in breach of Rule 15-3b for making a *stroke* at a *wrong ball*, **he incurs a penalty of two strokes** and must correct his mistake by playing the correct ball or by proceeding under the *Rules*. His *partner* incurs no penalty, even if the *wrong ball* belongs to him.

If the *wrong ball* belongs to another *competitor*, its owner must place a ball on the spot from which the *wrong ball* was first played.

31-6 Penalty to Side

A *side* is penalised for a breach of any of the following by any *partner*:

- Rule 4 Clubs
- Rule 6-4 Caddie
- Any Local Rule or Condition of Competition for which there is a maximum penalty per round.

31-7. Disqualification Penalties

a. Breach by One Partner

A *side* is disqualified from the competition if either *partner* incurs a penalty of disqualification under any of the following:

- Rule 1-3 Agreement to Waive Rules
- Rule 3-4 Refusal to Comply with a Rule
- Rule 4 Clubs
- Rule 5-1 or 5-2 The Ball
- Rule 6-2b Handicap
- Rule 6-4 Caddie
- Rule 6-6b Signing and Returning Score Card
- Rule 6-6d Wrong Score for Hole
- Rule 6-7 Undue Delay; Slow Play
- Rule 7-1 Practice Before or Between Rounds
- Rule 11-1 Teeing
- Rule 14-3 Artificial Devices, Unusual Equipment and Unusual Use of Equipment
- Rule 22-1 Ball Assisting Play
- Rule 31-3 Gross Scores to Count Not Individually Identifiable
- Rule 33-7 Disqualification Penalty Imposed by Committee

b. Breach by Both Partners

A *side* is disqualified from the competition:

- (i) if each *partner* incurs a penalty of disqualification for a breach of Rule 6-3 (Time of Starting and Groups) or Rule 6-8 (Discontinuance of Play), or
- (ii) if, at the same hole, each *partner* is in breach of a *Rule* the penalty for which is disqualification from the competition or for a hole.

c. For the Hole Only

In all other cases where a breach of a *Rule* would result in disqualification, the *competitor* is disqualified only for the hole at which the breach occurred.

31-8. Effect of Other Penalties

If a *competitor's* breach of a *Rule* assists his *partner's* play, the *partner* incurs the applicable penalty in addition to any penalty incurred by the *competitor*.

In all other cases where a *competitor* incurs a penalty for breach of a *Rule*, the penalty does not apply to his *partner*.

Rule 32

Bogey, Par and Stableford Competitions

Definitions

All defined terms are in *italics* and are listed alphabetically in the Definitions section – see pages 30-43.

32-1. Conditions

Bogey, par and Stableford competitions are forms of stroke play in which play is against a fixed score at each hole. The *Rules* for stroke play, so far as they are not at variance with the following specific *Rules*, apply.

In handicap bogey, par and Stableford competitions, the *competitor* with the lowest net score at a hole takes the *honour* at the next *teeing ground*.

a. Bogey and Par Competitions

The scoring for bogey and par competitions is made as in match play.

Any hole for which a *competitor* makes no return is regarded as a loss. The winner is the *competitor* who is most successful in the aggregate of holes.

The *marker* is responsible for marking only the gross number of *strokes* for each hole where the *competitor* makes a net score equal to or less than the fixed score.

Note 1: The *competitor's* score is adjusted by **deducting a hole or holes** under the applicable *Rule* when a penalty other than disqualification is incurred under any of the following:

- Rule 4 Clubs
- Rule 6-4 Caddie
- Any Local Rule or Condition of Competition for which there is a maximum penalty per round.

The *competitor* is responsible for reporting the facts regarding such a breach to the *Committee* before he returns his score card so that the *Committee* may apply the penalty. If the *competitor* fails to report his breach to the *Committee*, **he is disqualified**.

Note 2: If the *competitor* is in breach of Rule 6-7 (Undue Delay; Slow Play), the *Committee* will **deduct one hole** from the aggregate of holes. For a repeated offence, see Rule 32-2a.

b. Stableford Competitions

The scoring in Stableford competitions is made by points awarded in relation to a fixed score at each hole as follows:

Hole Played In	Points
More than one over fixed score or no score returned	0
One over fixed score	1
Fixed score	2
One under fixed score	3
Two under fixed score	4
Three under fixed score	5
Four under fixed score	6

The winner is the *competitor* who scores the highest number of points. The *marker* is responsible for marking only the gross number of *strokes* at each hole where the *competitor's* net score earns one or more points.

Note 1: If a *competitor* is in breach of a *Rule* for which there is a maximum penalty per round, he must report the facts to the *Committee* before returning his score card; if he fails to do so, he is *disqualified*. The *Committee* will, from the total points scored for the round, *deduct two points for each hole at which any breach occurred, with a maximum deduction per round of four points for each Rule breached*.

Note 2: If the *competitor* is in breach of Rule 6-7 (Undue Delay; Slow Play), the *Committee* will *deduct two points from the total points scored for the round. For a repeated offence, see Rule 32-2a*.

32-2. Disqualification Penalties

a. From the Competition

A *competitor* is *disqualified* from the competition if he incurs a penalty of disqualification under any of the following:

- Rule 1-3 Agreement to Waive Rules
- Rule 3-4 Refusal to Comply with a Rule
- Rule 4 Clubs
- Rule 5-1 or 5-2 The Ball
- Rule 6-2b Handicap
- Rule 6-3 Time of Starting and Groups
- Rule 6-4 Caddie
- Rule 6-6b Signing and Returning Score Card
- Rule 6-6d Wrong Score for Hole, i.e. when the recorded score is lower than actually taken, except that no penalty is incurred when a breach of this Rule does not affect the result of the hole
- Rule 6-7 Undue Delay; Slow Play
- Rule 6-8 Discontinuance of Play
- Rule 7-1 Practice Before or Between Rounds

- Rule 11-1 Teeing
- Rule 14-3 Artificial Devices, Unusual Equipment and Unusual Use of Equipment
- Rule 22-1 Ball Assisting Play
- Rule 33-7 Disqualification Penalty Imposed by Committee

b. For a Hole

In all other cases where a breach of a *Rule* would result in disqualification, the *competitor* is disqualified only for the hole at which the breach occurred.

Administration

Rule 33 The Committee

Definitions

All defined terms are in *italics* and are listed alphabetically in the Definitions section – see pages 30-43.

33-1. Conditions;Waiving Rule

The *Committee* must establish the conditions under which a competition is to be played.

The *Committee* has no power to waive a Rule of Golf.

Certain specific *Rules* governing stroke play are so substantially different from those governing match play that combining the two forms of play is not practicable and is not permitted. The result of a match played in these circumstances is null and void and, in the stroke play competition, the *competitors* are disqualified.

In stroke play, the *Committee* may limit a *referee's* duties.

33-2. The Course

a. Defining Bounds and Margins

The *Committee* must define accurately:

- (i) the *course* and *out of bounds*,

- (ii) the margins of *water hazards* and *lateral water hazards*,
- (iii) *ground under repair*, and
- (iv) *obstructions* and integral parts of the *course*.

b. New Holes

New *holes* should be made on the day on which a stroke play competition begins and at such other times as the *Committee* considers necessary, provided all *competitors* in a single round play with each *hole* cut in the same position.

Exception: When it is impossible for a damaged *hole* to be repaired so that it conforms with the Definition, the *Committee* may make a new *hole* in a nearby similar position.

Note: Where a single round is to be played on more than one day, the *Committee* may provide, in the conditions of a competition (Rule 33-1), that the *holes* and *teeing grounds* may be differently situated on each day of the competition, provided that, on any one day, all *competitors* play with each *hole* and each *teeing ground* in the same position.

c. Practice Ground

Where there is no practice ground available outside the area of a competition *course*, the *Committee* should establish the area on which players may practise on any day of a competition, if it is practicable to do so. On any day of a stroke play competition, the *Committee* should not normally permit practice on or to a *putting green* or from a *hazard* of the competition *course*.

d. Course Unplayable

If the *Committee* or its authorised representative considers that for any reason the *course* is not in a playable condition or that there are circumstances that render the proper playing of the game impossible, it may, in match play or stroke play, order a temporary suspension of play or, in stroke play, declare play null and void and cancel all scores for the round in question. When a round is cancelled, all penalties incurred in that round are cancelled.

(Procedure in discontinuing and resuming play – see Rule 6-8)

33-3. Times of Starting and Groups

The *Committee* must establish the times of starting and, in stroke play, arrange the groups in which *competitors* must play.

When a match play competition is played over an extended period, the *Committee* establishes the limit of time within which each round must be completed. When players are allowed to arrange the date of their match within these limits, the *Committee* should announce that the match must be played at a stated time on the last day of the period, unless the players agree to a prior date.

33-4. Handicap Stroke Table

The *Committee* must publish a table indicating the order of holes at which handicap strokes are to be given or received.

33-5. Score Card

In stroke play, the *Committee* must provide each *competitor* with a score card containing the date and the *competitor's* name or, in *foursome* or *four-ball* stroke play, the *competitors'* names.

In stroke play, the *Committee* is responsible for the addition of scores and application of the handicap recorded on the score card.

In *four-ball* stroke play, the *Committee* is responsible for recording the better-ball score for each hole and in the process applying the handicaps recorded on the score card, and adding the better-ball scores.

In bogey, par and Stableford competitions, the *Committee* is responsible for applying the handicap recorded on the score card and determining the result of each hole and the overall result or points total.

Note: The *Committee* may request that each *competitor* records the date and his name on his score card.

33-6. Decision of Ties

The *Committee* must announce the manner, day and time for the decision of a halved match or of a tie, whether played on level terms or under handicap.

A halved match must not be decided by stroke play. A tie in stroke play must not be decided by a match.

33-7. Disqualification Penalty; Committee Discretion

A penalty of disqualification may in exceptional individual cases be waived, modified or imposed if the *Committee* considers such action warranted.

Any penalty less than disqualification must not be waived or modified.

If a *Committee* considers that a player is guilty of a serious breach of etiquette, it may impose a penalty of disqualification under this Rule.

33-8. Local Rules

a. Policy

The *Committee* may establish Local Rules for local abnormal conditions if they are consistent with the policy set forth in Appendix I.

b. Waiving or Modifying a Rule

A Rule of Golf must not be waived by a Local Rule. However, if a *Committee* considers that local abnormal conditions interfere with the proper playing of the game to the extent that it is necessary to make a Local Rule that modifies the Rules of Golf, the Local Rule must be authorised by the *R&A*.

Rule 34

Disputes and Decisions

Definitions

All defined terms are in *italics* and are listed alphabetically in the Definitions section – see pages 30-43.

34-1. Claims and Penalties

a. Match Play

If a claim is lodged with the *Committee* under Rule 2-5, a decision should be given as soon as possible so that the state of the match may, if necessary, be adjusted. If a claim is not made in accordance with Rule 2-5, it must not be considered by the *Committee*.

There is no time limit on applying the disqualification penalty for a breach of Rule 1-3.

b. Stroke Play

In stroke play, a penalty must not be rescinded, modified or imposed

after the competition has closed. A competition is closed when the result has been officially announced or, in stroke play qualifying followed by match play, when the player has teed off in his first match.

Exceptions: A penalty of disqualification must be imposed after the competition has closed if a *competitor*:

- (i) was in breach of Rule 1-3 (Agreement to Waive Rules); or
- (ii) returned a score card on which he had recorded a handicap that, before the competition closed, he knew was higher than that to which he was entitled, and this affected the number of strokes received (Rule 6-2b); or
- (iii) returned a score for any hole lower than actually taken (Rule 6-6d) for any reason other than failure to include a penalty that, before the competition closed, he did not know he had incurred; or
- (iv) knew, before the competition closed, that he had been in breach of any other *Rule* for which the penalty is disqualification.

34-2. Referee's Decision

If a *referee* has been appointed by the *Committee*, his decision is final.

34-3. Committee's Decision

In the absence of a *referee*, any dispute or doubtful point on the *Rules* must be referred to the *Committee*, whose decision is final.

If the *Committee* cannot come to a decision, it may refer the dispute or doubtful point to the Rules of Golf Committee of the R&A, whose decision is final.

If the dispute or doubtful point has not been referred to the Rules of Golf Committee, the player or players may request that an agreed statement be referred through a duly authorised representative of the *Committee* to the Rules of Golf Committee for an opinion as to the correctness of the decision given. The reply will be sent to this authorised representative.

If play is conducted other than in accordance with the Rules of Golf, the Rules of Golf Committee will not give a decision on any question.

Appendix I – Contents

Part A Local Rules

1. Defining Bounds and Margins	124
2. Water Hazards	124
a. Lateral Water Hazards	124
b. Ball Played Provisionally Under Rule 26-1	124
3. Areas of the Course Requiring Preservation; Environmentally-Sensitive Areas	125
4. Course Conditions – Mud, Extreme Wetness, Poor Conditions and Protection of the Course	125
a. Lifting an Embedded Ball, Cleaning	125
b. “Preferred Lies” and “Winter Rules”	125
5. Obstructions	125
a. General	125
b. Stones in Bunkers	125
c. Roads and Paths	126
d. Immovable Obstructions Close to Putting Green	126
e. Protection of Young Trees	126
f. Temporary Obstructions	126
6. Dropping Zones	126

Part B Specimen Local Rules

1. Water Hazards; Ball Played Provisionally Under Rule 26-1	127
2. Areas of the Course Requiring Preservation; Environmentally-Sensitive Areas	128
a. Ground Under Repair; Play Prohibited	128
b. Environmentally-Sensitive Areas	128
3. Protection of Young Trees	130
4. Course Conditions – Mud, Extreme Wetness, Poor Conditions and Protection of the Course	131

a. Relief for Embedded Ball	131
b. Cleaning Ball	132
c. "Preferred Lies" and "Winter Rules"	132
d. Aeration Holes	133
e. Seams of Cut Turf.	134
5. Stones in Bunkers.	134
6. Immovable Obstructions Close to Putting Green.	134
7. Temporary Obstructions.	135
a. Temporary Immovable Obstructions	135
b. Temporary Power Lines and Cables	138
8. Dropping Zones.	139
9. Distance-Measuring Devices.	140

Part C Conditions of the Competition

1. Specification of Clubs and the Ball.	141
a. List of Conforming Driver Heads.	141
b. List of Conforming Golf Balls	142
c. One Ball Condition	142
2. Time of Starting	143
3. Caddie	143
4. Pace of Play.	144
5. Suspension of Play Due to a Dangerous Situation	144
6. Practice	145
a. General	145
b. Practice Between Holes	145
7. Advice in Team Competitions.	146
8. New Holes	146
9. Transportation	146
10. Anti-Doping	147
11. How to Decide Ties	147
12. Draw for Match Play; General Numerical Draw	148

Appendix I – Local Rules; Conditions of the Competition

Definitions

All defined terms are in *italics* and are listed alphabetically in the Definitions section – see pages 30-43.

Part A

Local Rules

As provided in Rule 33-8a, the *Committee* may make and publish Local Rules for local abnormal conditions if they are consistent with the policy established in this Appendix. In addition, detailed information regarding acceptable and prohibited Local Rules is provided in “Decisions on the Rules of Golf” under Rule 33-8 and in “Guidance on Running a Competition”.

If local abnormal conditions interfere with the proper playing of the game and the *Committee* considers it necessary to modify a Rule of Golf, authorisation from the *R&A* must be obtained.

1. Defining Bounds and Margins

Specifying means used to define *out of bounds*, *water hazards*, *lateral water hazards*, *ground under repair*, *obstructions* and integral parts of the *course* (Rule 33-2a).

2. Water Hazards

a. Lateral Water Hazards

Clarifying the status of *water hazards* that may be *lateral water hazards* (Rule 26).

b. Ball Played Provisionally Under Rule 26-1

Permitting play of a ball provisionally under Rule 26-1 for a ball that may be in a *water hazard* (including a *lateral water hazard*) of such character that, if the original ball is not found, it is known or virtually certain that it is in the *water hazard* and it would be impracticable to determine whether the ball is in the *hazard* or to do so would unduly delay play.

3. Areas of the Course Requiring Preservation; Environmentally-Sensitive Areas

Assisting preservation of the *course* by defining areas, including turf nurseries, young plantations and other parts of the *course* under cultivation, as *ground under repair* from which play is prohibited.

When the *Committee* is required to prohibit play from environmentally-sensitive areas that are on or adjoin the *course*, it should make a Local Rule clarifying the relief procedure.

4. Course Conditions – Mud, Extreme Wetness, Poor Conditions and Protection of Course

a. Lifting an Embedded Ball, Cleaning

Temporary conditions that might interfere with proper playing of the game, including mud and extreme wetness, warranting relief for an embedded ball anywhere *through the green* or permitting lifting, cleaning and replacing a ball anywhere *through the green* or on a closely-mown area *through the green*.

b. “Preferred Lies” and “Winter Rules”

Adverse conditions, including the poor condition of the *course* or the existence of mud, are sometimes so general, particularly during winter months, that the *Committee* may decide to grant relief by temporary Local Rule either to protect the *course* or to promote fair and pleasant play. The Local Rule should be withdrawn as soon as the conditions warrant.

5. Obstructions

a. General

Clarifying status of objects that may be *obstructions* (Rule 24).

Declaring any construction to be an integral part of the *course* and, accordingly, not an *obstruction*, e.g. built-up sides of *teeing grounds*, *putting greens* and *bunkers* (Rules 24 and 33-2a).

b. Stones in Bunkers

Allowing the removal of stones in *bunkers* by declaring them to be movable *obstructions* (Rule 24-1).

c. Roads and Paths

- (i) Declaring artificial surfaces and sides of roads and paths to be integral parts of the *course*, or
- (ii) Providing relief of the type afforded under Rule 24-2b from roads and paths not having artificial surfaces and sides if they could unfairly affect play.

d. Immovable Obstructions Close to Putting Green

Providing relief from intervention by immovable *obstructions* on or within two club-lengths of the *putting green* when the ball lies within two club-lengths of the immovable *obstruction*.

e. Protection of Young Trees

Providing relief for the protection of young trees.

f. Temporary Obstructions

Providing relief from interference by temporary obstructions (e.g. grandstands, television cables and equipment, etc).

6. Dropping Zones

Establishing special areas on which balls may or must be dropped when it is not feasible or practicable to proceed exactly in conformity with Rule 24-2b or 24-3 (Immovable Obstruction), Rule 25-1b or 25-1c (Abnormal Ground Conditions), Rule 25-3 (Wrong Putting Green), Rule 26-1 (Water Hazards and Lateral Water Hazards) or Rule 28 (Ball Unplayable).

Part B

Specimen Local Rules

Within the policy established in Part A of this Appendix, the *Committee* may adopt a Specimen Local Rule by referring, on a score card or notice board, to the examples given below. However, Specimen Local Rules of a temporary nature should not be printed on a score card.

I. Water Hazards; Ball Played Provisionally Under Rule 26-1

If a *water hazard* (including a *lateral water hazard*) is of such size and shape and/or located in such a position that:

- (i) it would be impracticable to determine whether the ball is in the *hazard* or to do so would unduly delay play, and
- (ii) if the original ball is not found, it is known or virtually certain that it is in the *water hazard*,

the *Committee* may introduce a Local Rule permitting the play of a ball provisionally under Rule 26-1. The ball is played provisionally under any of the applicable options under Rule 26-1 or any applicable Local Rule. In such a case, if a ball is played provisionally and the original ball is in a *water hazard*, the player may play the original ball as it lies or continue with the ball played provisionally, but he may not proceed under Rule 26-1 with regard to the original ball.

In these circumstances, the following Local Rule is recommended:

"If there is doubt whether a ball is in or is *lost* in the *water hazard* (specify location), the player may play another ball provisionally under any of the applicable options in Rule 26-1.

If the original ball is found outside the *water hazard*, the player must continue play with it.

If the original ball is found in the *water hazard*, the player may either play the original ball as it lies or continue with the ball played provisionally under Rule 26-1.

If the original ball is not found or identified within the five-minute search period, the player must continue with the ball played provisionally.

PENALTY FOR BREACH OF LOCAL RULE:

Match play – Loss of hole; Stroke play – Two strokes."

2. Areas of the Course Requiring Preservation; Environmentally-Sensitive Areas

a. Ground Under Repair; Play Prohibited

If the *Committee* wishes to protect any area of the *course*, it should declare it to be *ground under repair* and prohibit play from within that area. The following Local Rule is recommended:

"The _____ (defined by _____) is *ground under repair* from which play is prohibited. If a player's ball lies in the area, or if it interferes with the player's *stance* or the area of his intended swing, the player must take relief under Rule 25-1.

PENALTY FOR BREACH OF LOCAL RULE:

Match play – Loss of hole; Stroke play – Two strokes."

b. Environmentally-Sensitive Areas

If an appropriate authority (i.e. a Government Agency or the like) prohibits entry into and/or play from an area on or adjoining the *course* for environmental reasons, the *Committee* should make a Local Rule clarifying the relief procedure.

The *Committee* has some discretion in terms of whether the area is defined as *ground under repair*, a *water hazard* or *out of bounds*.

However, it may not simply define the area to be a *water hazard* if it does not meet the Definition of a "Water Hazard" and it should attempt to preserve the character of the hole.

The following Local Rule is recommended:

"I. Definition

An environmentally-sensitive area (ESA) is an area so declared by an appropriate authority, entry into and/or play from which is prohibited for environmental reasons. These areas may be defined as *ground under repair*, a *water hazard*, a *lateral water hazard* or *out of bounds* at the discretion of the *Committee*, provided that in the case of an ESA that has been defined as a *water hazard* or a *lateral water hazard*, the area is, by definition, a *water hazard*.

Note: The *Committee* may not declare an area to be environmentally-sensitive.

II. Ball in Environmentally-Sensitive Area

a. Ground Under Repair

If a ball is in an ESA defined as *ground under repair*, a ball must be dropped in accordance with Rule 25-1b.

If it is known or virtually certain that a ball that has not been found is in an ESA defined as *ground under repair*, the player may take relief, without penalty, as prescribed in Rule 25-1c.

b. Water Hazards and Lateral Water Hazards

If it is known or virtually certain that a ball that has not been found is in an ESA defined as a *water hazard* or *lateral water hazard*, the player must, under penalty of one stroke, proceed under Rule 26-1.

Note: If a ball, dropped in accordance with Rule 26 rolls into a position where the ESA interferes with the player's *stance* or the area of his intended swing, the player must take relief as provided in Clause III of this Local Rule.

c. Out of Bounds

If a ball is in an ESA defined as *out of bounds*, the player must play a ball, under penalty of one stroke, as nearly as possible at the spot from which the original ball was last played (see Rule 20-5).

III. Interference with Stance or Area of Intended Swing

Interference by an ESA occurs when the ESA interferes with the player's *stance* or the area of his intended swing. If interference exists, the player must take relief as follows:

- (a) Through the Green: If the ball lies *through the green*, the point on the *course* nearest to where the ball lies must be determined that (a) is not nearer the *hole*, (b) avoids interference by the ESA and (c) is not in a *hazard* or on a *putting green*. The player must lift the ball and drop it, without penalty, within one club-length of the point so determined on a part of the *course* that fulfils (a), (b) and (c) above.

- (b) In a Hazard: If the ball is in a *hazard*, the player must lift the ball and drop it either:
- (i) Without penalty, in the *hazard*, as near as possible to the spot where the ball lay, but not nearer the *hole*, on a part of the *course* that provides complete relief from the ESA; or
 - (ii) Under penalty of one stroke, outside the *hazard*, keeping the point where the ball lay directly between the *hole* and the spot on which the ball is dropped, with no limit to how far behind the *hazard* the ball may be dropped. Additionally, the player may proceed under Rule 26 or 28 if applicable.
- (c) On the Putting Green: If the ball lies on the *putting green*, the player must lift the ball and place it, without penalty, in the nearest position to where it lay that affords complete relief from the ESA, but not nearer the *hole* or in a *hazard*.

The ball may be cleaned when lifted under Clause III of this Local Rule.

Exception: A player may not take relief under Clause III of this Local Rule if (a) it is clearly unreasonable for him to make a *stroke* because of interference by anything other than an ESA or (b) interference by an ESA would occur only through use of an unnecessarily abnormal *stance*, swing or direction of play.

PENALTY FOR BREACH OF LOCAL RULE:

Match play – Loss of hole; Stroke play – Two strokes.

Note: In the case of a serious breach of this Local Rule, the *Committee* may impose a penalty of disqualification."

3. Protection of Young Trees

When it is desired to prevent damage to young trees, the following Local Rule is recommended:

"Protection of young trees identified by _____. If such a tree interferes with a player's *stance* or the area of his intended swing, the ball must be lifted, without penalty, and dropped in accordance with

the procedure prescribed in Rule 24-2b (Immovable Obstruction). If the ball lies in a *water hazard*, the player must lift and drop the ball in accordance with Rule 24-2b(i), except that the *nearest point of relief* must be in the *water hazard* and the ball must be dropped in the *water hazard* or the player may proceed under Rule 26. The ball may be cleaned when lifted under this Local Rule.

Exception: A player may not obtain relief under this Local Rule if (a) it is clearly unreasonable for him to make a *stroke* because of interference by anything other than the tree or (b) interference by the tree would occur only through use of an unnecessarily abnormal *stance*, swing or direction of play.

PENALTY FOR BREACH OF LOCAL RULE:

Match play – Loss of hole; Stroke play – Two strokes.”

4. Course Conditions – Mud, Extreme Wetness, Poor Conditions and Protection of the Course

a. Relief for Embedded Ball

Rule 25-2 provides relief, without penalty, for a ball embedded in its own pitch-mark in any closely-mown area *through the green*. On the *putting green*, a ball may be lifted and damage caused by the impact of a ball may be repaired (Rules 16-1b and c). When permission to take relief for an embedded ball anywhere *through the green* would be warranted, the following Local Rule is recommended:

“*Through the green*, a ball that is embedded in its own pitch-mark in the ground may be lifted, without penalty, cleaned and dropped as near as possible to where it lay but not nearer the *hole*. The ball when dropped must first strike a part of the *course through the green*.”

Exceptions:

1. A player may not take relief under this Local Rule if the ball is embedded in sand in an area that is not closely mown.
2. A player may not take relief under this Local Rule if it is clearly

unreasonable for him to make a *stroke* because of interference by anything other than the condition covered by this Local Rule.

PENALTY FOR BREACH OF LOCAL RULE:

Match play – Loss of hole; Stroke play – Two strokes.”

b. Cleaning Ball

Conditions, such as extreme wetness causing significant amounts of mud to adhere to the ball, may be such that permission to lift, clean and replace the ball would be appropriate. In these circumstances, the following Local Rule is recommended:

“(Specify area) a ball may be lifted, cleaned and replaced without penalty.

Note: The position of the ball must be marked before it is lifted under this Local Rule – see Rule 20-1.

PENALTY FOR BREACH OF LOCAL RULE:

Match play – Loss of hole; Stroke play – Two strokes.”

c. “Preferred Lies” and “Winter Rules”

Ground under repair is provided for in Rule 25 and occasional local abnormal conditions that might interfere with fair play and are not widespread should be defined as *ground under repair*.

However, adverse conditions, such as heavy snows, spring thaws, prolonged rains or extreme heat can make fairways unsatisfactory and sometimes prevent use of heavy mowing equipment. When such conditions are so general throughout a *course* that the *Committee* believes “preferred lies” or “winter rules” would promote fair play or help protect the *course*, the following Local Rule is recommended:

“A ball lying on a closely-mown area *through the green* (or specify a more restricted area, e.g. at the 6th hole) may be lifted, without penalty, and cleaned. Before lifting the ball, the player must mark its position. Having lifted the ball, he must place it on a spot within (specify area, e.g.

six inches, one club-length, etc.) of and not nearer the *hole* than where it originally lay, that is not in a *hazard* and not on a *putting green*.

A player may place his ball only once, and it is *in play* when it has been placed (Rule 20-4). If the ball fails to come to rest on the spot on which it is placed, Rule 20-3d applies. If the ball when placed comes to rest on the spot on which it is placed and it subsequently *moves*, there is no penalty and the ball must be played as it lies, unless the provisions of any other *Rule* apply.

If the player fails to mark the position of the ball before lifting it or *moves* the ball in any other manner, such as rolling it with a club, he incurs a penalty of one stroke.

Note: "Closely-mown area" means any area of the *course*, including paths through the rough, cut to fairway height or less.

***PENALTY FOR BREACH OF LOCAL RULE:**

Match play – Loss of hole; Stroke play – Two strokes.

*If a player incurs the general penalty for a breach of this Local Rule, no additional penalty under the Local Rule is applied."

d. Aeration Holes

When a *course* has been aerated, a Local Rule permitting relief, without penalty, from an aeration hole may be warranted. The following Local Rule is recommended:

"Through the green, a ball that comes to rest in or on an aeration hole may be lifted, without penalty, cleaned and dropped, as near as possible to the spot where it lay but not nearer the *hole*. The ball when dropped must first strike a part of the *course through the green*.

On the *putting green*, a ball that comes to rest in or on an aeration hole may be placed at the nearest spot not nearer the *hole* that avoids the situation.

PENALTY FOR BREACH OF LOCAL RULE:

Match play – Loss of hole; Stroke play – Two strokes."

e. Seams of Cut Turf

If a *Committee* wishes to allow relief from seams of cut turf, but not from the cut turf itself, the following Local Rule is recommended:

“Through the green, seams of cut turf (not the turf itself) are deemed to be ground under repair. However, interference by a seam with the player’s stance is deemed not to be, of itself, interference under Rule 25-1. If the ball lies in or touches the seam or the seam interferes with the area of intended swing, relief is available under Rule 25-1. All seams within the cut turf area are considered the same seam.

PENALTY FOR BREACH OF LOCAL RULE:

Match play – Loss of hole; Stroke play – Two strokes.”

5. Stones in Bunkers

Stones are, by definition, *loose impediments* and, when a player’s ball is in a *hazard*, a stone lying in or touching the *hazard* may not be touched or moved (Rule 13-4). However, stones in *bunkers* may represent a danger to players (a player could be injured by a stone struck by the player’s club in an attempt to play the ball) and they may interfere with the proper playing of the game.

When permission to lift a stone in a *bunker* is warranted, the following Local Rule is recommended:

“Stones in bunkers are movable obstructions (Rule 24-1 applies).”

6. Immovable Obstructions Close to Putting Green

Rule 24-2 provides relief, without penalty, from interference by an immovable *obstruction*, but it also provides that, except on the *putting green*, intervention on the *line of play* is not, of itself, interference under this Rule.

However, on some courses, the aprons of the *putting greens* are so closely mown that players may wish to putt from just off the green. In such conditions, immovable *obstructions* on the apron may interfere with the proper playing of the game and the introduction of the following Local Rule providing additional relief, without penalty, from intervention by an immovable *obstruction* would be warranted:

“Relief from interference by an immovable *obstruction* may be obtained under Rule 24-2. In addition, if a ball lies off the *putting green* but not in a *hazard* and an immovable *obstruction* on or within two club-lengths of the *putting green* and within two club-lengths of the ball intervenes on the *line of play* between the ball and the *hole*, the player may take relief as follows:

The ball must be lifted and dropped at the nearest point to where the ball lay that (a) is not nearer the *hole*, (b) avoids intervention and (c) is not in a *hazard* or on a *putting green*. The ball may be cleaned when lifted.

Relief under this Local Rule is also available if the player’s ball lies on the *putting green* and an immovable *obstruction* within two club-lengths of the *putting green* intervenes on his *line of putt*. The player may take relief as follows:

The ball must be lifted and placed at the nearest point to where the ball lay that (a) is not nearer the *hole*, (b) avoids intervention and (c) is not in a *hazard*. The ball may be cleaned when lifted.

PENALTY FOR BREACH OF LOCAL RULE:

Match play – Loss of hole; Stroke play – Two strokes.”

7. Temporary Obstructions

When temporary obstructions are installed on or adjoining the *course*, the *Committee* should define the status of such obstructions as movable, immovable or temporary immovable obstructions.

a. Temporary Immovable Obstructions

If the *Committee* defines such obstructions as temporary immovable obstructions, the following Local Rule is recommended:

“I. Definition

A temporary immovable obstruction (TIO) is a non-permanent artificial object that is often erected in conjunction with a competition and is fixed or not readily movable.

Examples of TIOs include, but are not limited to, tents, scoreboards, grandstands, television towers and lavatories.

Supporting guy wires are part of the TIO, unless the *Committee* declares that they are to be treated as elevated power lines or cables.

II. Interference

Interference by a TIO occurs when (a) the ball lies in front of and so close to the TIO that the TIO interferes with the player's *stance* or the area of his intended swing, or (b) the ball lies in, on, under or behind the TIO so that any part of the TIO intervenes directly between the player's ball and the *hole* and is on his *line of play*; interference also exists if the ball lies within one club-length of a spot equidistant from the *hole* where such intervention would exist.

Note: A ball is under a TIO when it is below the outer most edges of the TIO, even if these edges do not extend downwards to the ground.

III. Relief

A player may obtain relief from interference by a TIO, including a TIO that is *out of bounds*, as follows:

- (a) Through the Green: If the ball lies *through the green*, the point on the *course* nearest to where the ball lies must be determined that (a) is not nearer the *hole*, (b) avoids interference as defined in Clause II and (c) is not in a *hazard* or on a *putting green*. The player must lift the ball and drop it, without penalty, within one club-length of the point so determined on a part of the *course* that fulfils (a), (b) and (c) above.
- (b) In a Hazard: If the ball is in a *hazard*, the player must lift and drop the ball either:
 - (i) Without penalty, in accordance with Clause III(a) above, except that the nearest part of the *course* affording complete relief must be in the *hazard* and the ball must be dropped in the *hazard* or; if complete relief is impossible, on a part of the *course* within the *hazard* that affords maximum available relief; or

- (ii) Under penalty of one stroke, outside the *hazard* as follows: the point on the *course* nearest to where the ball lies must be determined that (a) is not nearer the *hole*, (b) avoids interference as defined in Clause II and (c) is not in a *hazard*. The player must drop the ball within one club-length of the point so determined on a part of the *course* that fulfils (a), (b) and (c) above.

The ball may be cleaned when lifted under Clause III.

Note 1: If the ball lies in a *hazard*, nothing in this Local Rule precludes the player from proceeding under Rule 26 or Rule 28, if applicable.

Note 2: If a ball to be dropped under this Local Rule is not immediately recoverable, another ball may be *substituted*.

Note 3: A *Committee* may make a Local Rule (a) permitting or requiring a player to use a dropping zone when taking relief from a TIO or (b) permitting a player, as an additional relief option, to drop the ball on the opposite side of the TIO from the point established under Clause III, but otherwise in accordance with Clause III.

Exceptions: If a player's ball lies in front of or behind the TIO (not in, on or under the TIO), he may not obtain relief under Clause III if:

1. It is clearly unreasonable for him to make a *stroke* or, in the case of intervention, to make a *stroke* such that the ball could finish on a direct line to the *hole*, because of interference by anything other than the TIO;
2. Interference by the TIO would occur only through use of an unnecessarily abnormal *stance*, *swing* or *direction of play*; or
3. In the case of intervention, it would be clearly unreasonable to expect the player to be able to strike the ball far enough towards the *hole* to reach the TIO.

A player not entitled to relief due to these exceptions may proceed under Rule 24-2, if applicable.

IV. Ball in TIO Not Found

If it is known or virtually certain that a ball that has not been found is

in, on or under a TIO, a ball may be dropped under the provisions of Clause III or Clause V, if applicable. For the purpose of applying Clauses III and V, the ball is deemed to lie at the spot where it last crossed the outermost limits of the TIO (Rule 24-3).

V. Dropping Zones

If the player has interference from a TIO, the *Committee* may permit or require the use of a dropping zone. If the player uses a dropping zone in taking relief, he must drop the ball in the dropping zone nearest to where his ball originally lay or is deemed to lie under Clause IV (even though the nearest dropping zone may be nearer the *hole*).

Note: A *Committee* may make a Local Rule prohibiting the use of a dropping zone that is nearer the *hole*.

PENALTY FOR BREACH OF LOCAL RULE:

Match play – Loss of hole; Stroke play – Two strokes."

b. Temporary Power Lines and Cables

When temporary power lines, cables, or telephone lines are installed on the *course*, the following Local Rule is recommended:

"Temporary power lines, cables, telephone lines and mats covering or stanchions supporting them are *obstructions*:

1. If they are readily movable, Rule 24-1 applies.
2. If they are fixed or not readily movable, the player may, if the ball lies *through the green* or in a *bunker*, obtain relief as provided in Rule 24-2b. If the ball lies in a *water hazard*, the player may lift and drop the ball in accordance with Rule 24-2b(i), except that the *nearest point of relief* must be in the *water hazard* and the ball must be dropped in the *water hazard* or the player may proceed under Rule 26.
3. If a ball strikes an elevated power line or cable, the *stroke* must be cancelled and replayed, without penalty (see Rule 20-5). If the ball is not immediately recoverable another ball may be *substituted*.

Note: Guy wires supporting a temporary immovable *obstruction* are part of the temporary immovable *obstruction*, unless the *Committee*, by Local Rule, declares that they are to be treated as elevated power lines or cables.

Exception: A *stroke* that results in a ball striking an elevated junction section of cable rising from the ground must not be replayed.

4. Grass-covered cable trenches are *ground under repair*, even if not marked, and Rule 25-1b applies.”

8. Dropping Zones

If the *Committee* considers that it is not feasible or practicable to proceed in accordance with a Rule providing relief, it may establish dropping zones in which balls may or must be dropped when taking relief. Generally, such dropping zones should be provided as an additional relief option to those available under the Rule itself, rather than being mandatory.

Using the example of a dropping zone for a *water hazard*, when such a dropping zone is established, the following Local Rule is recommended: “If a ball is in or it is known or virtually certain that a ball that has not been found is in the *water hazard* (specify location), the player may:

- (i) proceed under Rule 26; or
- (ii) as an additional option, drop a ball, under penalty of one stroke, in the dropping zone.

PENALTY FOR BREACH OF LOCAL RULE:

Match play – Loss of hole; Stroke play – Two strokes.”

Note: When using a dropping zone the following provisions apply regarding the dropping and re-dropping of the ball:

- (a) The player does not have to stand within the dropping zone when dropping the ball.
- (b) The dropped ball must first strike a part of the *course* within the dropping zone.

- (c) If the dropping zone is defined by a line, the line is within the dropping zone.
- (d) The dropped ball does not have to come to rest within the dropping zone.
- (e) The dropped ball must be re-dropped if it rolls and comes to rest in a position covered by Rule 20-2c(i-vi).
- (f) The dropped ball may roll nearer the *hole* than the spot where it first struck a part of the *course*, provided it comes to rest within two club-lengths of that spot and not into any of the positions covered by (e).
- (g) Subject to the provisions of (e) and (f), the dropped ball may roll and come to rest nearer the *hole* than:
- its original position or estimated position (see Rule 20-2b);
 - the *nearest point of relief* or maximum available relief (Rule 24-2, 24-3, 25-1 or 25-3); or
 - the point where the original ball last crossed the margin of the *water hazard* or *lateral water hazard* (Rule 26-1).

9. Distance-Measuring Devices

If the *Committee* wishes to act in accordance with the Note under Rule 14-3, the following wording is recommended:

“(Specify as appropriate, e.g. In this competition, or For all play at this course, etc.), a player may obtain distance information by using a device that measures distance only. If, during a *stipulated round*, a player uses a distance-measuring device that is designed to gauge or measure other conditions that might affect his play (e.g. gradient, windspeed, temperature, etc.), the player is in breach of Rule 14-3, for which the penalty is disqualification, regardless of whether any such additional function is actually used.”

Part C Conditions of the Competition

Rule 33-1 provides, “The *Committee* must establish the conditions under which a competition is to be played.” The conditions should include many matters such as method of entry, eligibility, number of rounds to be played, etc. which it is not appropriate to deal with in the Rules of Golf or this Appendix. Detailed information regarding these conditions is provided in “Decisions on the Rules of Golf” under Rule 33-1 and in “Guidance on Running a Competition”.

However, there are a number of matters that might be covered in the Conditions of the Competition to which the *Committee’s* attention is specifically drawn. These are:

I. Specification of Clubs and the Ball

The following conditions are recommended only for competitions involving expert players:

a. List of Conforming Driver Heads

On its web site (www.randa.org) the R&A periodically issues a List of Conforming Driver Heads that lists driving clubheads that have been evaluated and found to conform with the Rules of Golf. If the *Committee* wishes to limit players to drivers that have a clubhead, identified by model and loft, that is on the List, the List should be made available and the following condition of competition used:

“Any driver the player carries must have a clubhead, identified by model and loft, that is named on the current List of Conforming Driver Heads issued by the R&A.

Exception: A driver with a clubhead that was manufactured prior to 1999 is exempt from this condition.

***PENALTY FOR CARRYING, BUT NOT MAKING STROKE WITH, CLUB OR CLUBS IN BREACH OF CONDITION:**
Match play – At the conclusion of the hole at which the breach is discovered, the state of the match is adjusted by deducting one hole

for each hole at which a breach occurred; maximum deduction per round – Two holes.

Stroke play – Two strokes for each hole at which any breach occurred; maximum penalty per round – Four strokes.

Match or stroke play – In the event of a breach between the play of two holes, the penalty applies to the next hole.

Bogey and par competitions – See Note 1 to Rule 32-1a.

Stableford competitions – See Note 1 to Rule 32-1b.

*Any club or clubs carried in breach of this condition must be declared out of play by the player to his opponent in match play or his *marker* or a *fellow-competitor* in stroke play immediately upon discovery that a breach has occurred. If the player fails to do so, he is disqualified.

PENALTY FOR MAKING STROKE WITH CLUB IN BREACH OF CONDITION:

Disqualification.”

b. List of Conforming Golf Balls

On its website (www.randa.org) the R&A periodically issues a List of Conforming Golf Balls that lists balls that have been tested and found to conform with the Rules of Golf. If the *Committee* wishes to require players to play a model of golf ball on the List, the List should be made available and the following condition of competition used:

“The ball the player plays must be named on the current List of Conforming Golf Balls issued by the R&A.

PENALTY FOR BREACH OF CONDITION:

Disqualification.”

c. One Ball Condition

If it is desired to prohibit changing brands and models of golf balls during a *stipulated round*, the following condition is recommended:

“Limitation on Balls Used During Round: (Note to Rule 5-1)

(i) “One Ball” Condition

During a *stipulated round*, the balls a player plays must be of the same brand and model as detailed by a single entry on the current List of Conforming Golf Balls.

Note: If a ball of a different brand and/or model is dropped or placed it may be lifted, without penalty, and the player must then proceed by dropping or placing a proper ball (Rule 20-6).

PENALTY FOR BREACH OF CONDITION:

Match play – At the conclusion of the hole at which the breach is discovered, the state of the match must be adjusted by deducting one hole for each hole at which a breach occurred; maximum deduction per round – Two holes.

Stroke play – Two strokes for each hole at which any breach occurred; maximum penalty per round – Four strokes.

(ii) Procedure When Breach Discovered

When a player discovers that he has played a ball in breach of this condition, he must abandon that ball before playing from the next *teeing ground* and complete the round with a proper ball; otherwise, the player is disqualified. If discovery is made during play of a hole and the player elects to *substitute* a proper ball before completing that hole, the player must place a proper ball on the spot where the ball played in breach of the condition lay.”

2. Time of Starting (Note to Rule 6-3a)

If the *Committee* wishes to act in accordance with the Note, the following wording is recommended:

“If the player arrives at his starting point, ready to play, within five minutes after his starting time, in the absence of circumstances that warrant waiving the penalty of disqualification as provided in Rule 33-7, the penalty for failure to start on time is loss of the first hole to be played in match play or two strokes in stroke play. Penalty for lateness beyond five minutes is disqualification.”

3. Caddie (Note to Rule 6-4)

Rule 6-4 permits a player to use a *caddie*, provided he has only one *caddie* at any one time. However, there may be circumstances where a *Committee* may wish to prohibit *caddies* or restrict a player in his choice of *caddie*, e.g. professional golfer, sibling, parent, another player in the competition, etc. In such cases, the following wording is recommended:

Use of Caddie Prohibited

"A player is prohibited from using a *caddie* during the *stipulated round*."

Restriction on Who May Serve as Caddie

"A player is prohibited from having _____ serve as his *caddie* during the *stipulated round*."

PENALTY FOR BREACH OF CONDITION:

Match play – At the conclusion of the hole at which the breach is discovered, the state of the match is adjusted by deducting one hole for each hole at which a breach occurred; maximum deduction per round – Two holes.

Stroke play – Two strokes for each hole at which any breach occurred; maximum penalty per round – Four strokes.

Match or stroke play – In the event of a breach between the play of two holes, the penalty applies to the next hole. A player having a *caddie* in breach of this condition must immediately upon discovery that a breach has occurred ensure that he conforms with this condition for the remainder of the *stipulated round*. Otherwise, the player is disqualified."

4. Pace of Play (Note 2 to Rule 6-7)

The *Committee* may establish pace of play guidelines to help prevent slow play, in accordance with Note 2 to Rule 6-7.

5. Suspension of Play Due to a Dangerous Situation (Note to Rule 6-8b)

As there have been many deaths and injuries from lightning on golf courses, all clubs and sponsors of golf competitions are urged to take precautions for the protection of persons against lightning. Attention is called to Rules 6-8 and 33-2d. If the *Committee* desires to adopt the condition in the Note under Rule 6-8b, the following wording is recommended:

"When play is suspended by the *Committee* for a dangerous situation, if the players in a match or group are between the play of two holes, they must not resume play until the *Committee* has ordered a

resumption of play. If they are in the process of playing a hole, they must discontinue play immediately and not resume play until the *Committee* has ordered a resumption of play. If a player fails to discontinue play immediately, he is disqualified, unless circumstances warrant waiving the penalty as provided in Rule 33-7.

The signal for suspending play due to a dangerous situation will be a prolonged note of the siren."

The following signals are generally used and it is recommended that all *Committees* do similarly:

Discontinue Play Immediately: One prolonged note of siren.

Discontinue Play: Three consecutive notes of siren, repeated.

Resume Play: Two short notes of siren, repeated.

6. Practice

a. General

The *Committee* may make regulations governing practice in accordance with the Note to Rule 7-1, Exception (c) to Rule 7-2, Note 2 to Rule 7 and Rule 33-2c.

b. Practice Between Holes (Note 2 to Rule 7)

If the *Committee* wishes to act in accordance with Note 2 to Rule 7-2, the following wording is recommended:

"Between the play of two holes, a player must not make any practice stroke on or near the *putting green* of the hole last played and must not test the surface of the *putting green* of the hole last played by rolling a ball.

PENALTY FOR BREACH OF CONDITION:

Match play – Loss of next hole.

Stroke play – Two strokes at the next hole.

Match or stroke play – In the case of a breach at the last hole of the *stipulated round*, the player incurs the penalty at that hole."

7. Advice in Team Competitions (Note to Rule 8)

If the *Committee* wishes to act in accordance with the Note under Rule 8, the following wording is recommended:

“In accordance with the Note to Rule 8 of the Rules of Golf, each team may appoint one person (in addition to the persons from whom *advice* may be asked under that Rule) who may give *advice* to members of that team. Such person (if it is desired to insert any restriction on who may be nominated insert such restriction here) must be identified to the *Committee* before giving *advice*.”

8. New Holes (Note to Rule 33-2b)

The *Committee* may provide, in accordance with the Note to Rule 33-2b, that the *holes* and *teeing grounds* for a single round competition being held on more than one day may be differently situated on each day.

9. Transportation

If it is desired to require players to walk in a competition, the following condition is recommended:

“Players must not ride on any form of transportation during a *stipulated round* unless authorised by the *Committee*.”

PENALTY FOR BREACH OF CONDITION:

Match play – At the conclusion of the hole at which the breach is discovered, the state of the match is adjusted by deducting one hole for each hole at which a breach occurred; maximum deduction per round – Two holes.

Stroke play – Two strokes for each hole at which any breach occurred; maximum penalty per round – Four strokes.

Match or stroke play – In the event of a breach between the play of two holes, the penalty applies to the next hole. Use of any unauthorised form of transportation must be discontinued immediately upon discovery that a breach has occurred. Otherwise, the player is disqualified.”

10. Anti-Doping

The *Committee* may require, in the conditions of competition, that players comply with an anti-doping policy.

11. How to Decide Ties

In both match play and stroke play, a tie can be an acceptable result. However, when it is desired to have a sole winner, the *Committee* has the authority, under Rule 33-6, to determine how and when a tie is decided. The decision should be published in advance.

The R&A recommends:

Match Play

A match that ends all square should be played off hole by hole until one *side* wins a hole. The play-off should start on the hole where the match began. In a handicap match, handicap strokes should be allowed as in the *stipulated round*.

Stroke Play

- (a) In the event of a tie in a scratch stroke play competition, a play-off is recommended. The play-off may be over 18 holes or a smaller number of holes as specified by the *Committee*. If that is not feasible or there is still a tie, a hole-by-hole play-off is recommended.
- (b) In the event of a tie in a handicap stroke play competition, a play-off with handicaps is recommended. The play-off may be over 18 holes or a smaller number of holes as specified by the *Committee*. It is recommended that any such play-off consist of at least three holes.

In competitions where the handicap stroke allocation table is not relevant, if the play-off is less than 18 holes, the percentage of 18 holes played should be applied to the players' handicaps to determine their play-off handicaps. Handicap stroke fractions of one half stroke or more should count as a full stroke and any lesser fraction should be disregarded.

In competitions where the handicap stroke table is relevant, such as four-ball stroke play and bogey, par and Stableford competitions, handicap strokes should be taken as they were assigned for the competition using the players' respective stroke allocation table(s).

- (c) If a play-off of any type is not feasible, matching score cards is recommended. The method of matching cards should be announced in advance and should also provide what will happen if this procedure does not produce a winner. An acceptable method of matching cards is to determine the winner on the basis of the best score for the last nine holes. If the tying players have the same score for the last nine, determine the winner on the basis of the last six holes, last three holes and finally the 18th hole. If this method is used in a competition with a multiple tee start, it is recommended that the "last nine holes, last six holes, etc." is considered to be holes 10-18, 13-18, etc.

For competitions where the handicap stroke table is not relevant, such as individual stroke play, if the last nine, last six, last three holes scenario is used, one-half, one-third, one-sixth, etc. of the handicaps should be deducted from the score for those holes. In terms of the use of fractions in such deductions, the *Committee* should act in accordance with the recommendations of the relevant handicapping authority.

In competitions where the handicap stroke table is relevant, such as *four-ball* stroke play and bogey, par and Stableford competitions, handicap strokes should be taken as they were assigned for the competition, using the players' respective stroke allocation table(s).

12. Draw for Match Play

Although the draw for match play may be completely blind or certain players may be distributed through different quarters or eighths, the General Numerical Draw is recommended if matches are determined by a qualifying round.

General Numerical Draw

For purposes of determining places in the draw, ties in qualifying rounds other than those for the last qualifying place are decided by the order in which scores are returned, with the first score to be returned receiving the lowest available number, etc. If it is impossible to determine the order in which scores are returned, ties are determined by a blind draw.

UPPER HALF	LOWER HALF	UPPER HALF	LOWER HALF
64 QUALIFIERS		32 QUALIFIERS	
1 vs. 64	2 vs. 63	1 vs. 32	2 vs. 31
32 vs. 33	31 vs. 34	16 vs. 17	15 vs. 18
16 vs. 49	15 vs. 50	8 vs. 25	7 vs. 26
17 vs. 48	18 vs. 47	9 vs. 24	10 vs. 23
8 vs. 57	7 vs. 58	4 vs. 29	3 vs. 30
25 vs. 40	26 vs. 39	13 vs. 20	14 vs. 19
9 vs. 56	10 vs. 55	5 vs. 28	6 vs. 27
24 vs. 41	23 vs. 42	12 vs. 21	11 vs. 22
4 vs. 61	3 vs. 62	16 QUALIFIERS	
29 vs. 36	30 vs. 35	1 vs. 16	2 vs. 15
13 vs. 52	14 vs. 51	8 vs. 9	7 vs. 10
20 vs. 45	19 vs. 46	4 vs. 13	3 vs. 14
5 vs. 60	6 vs. 59	5 vs. 12	6 vs. 11
28 vs. 37	27 vs. 38	8 QUALIFIERS	
12 vs. 53	11 vs. 54	1 vs. 8	2 vs. 7
21 vs. 44	22 vs. 43	4 vs. 5	3 vs. 6

Appendices II and III

The R&A reserves the right, at any time, to change the Rules relating to clubs and balls and make or change the interpretations relating to these Rules. For up to date information, please contact the R&A or refer to www.randa.org/equipmentrules.

Any design in a club or ball which is not covered by the *Rules*, which is contrary to the purpose and intent of the *Rules* or which might significantly change the nature of the game, will be ruled on by the R&A. The dimensions and limits contained in Appendices II and III are given in the units by which conformance is determined. An equivalent imperial/metric conversion is also referenced for information, calculated using a conversion rate of 1 inch = 25.4 mm.

Appendix II – Design of Clubs

A player in doubt as to the conformity of a club should consult the R&A. A manufacturer should submit to the R&A a sample of a club to be manufactured for a ruling as to whether the club conforms with the *Rules*. The sample becomes the property of the R&A for reference purposes. If a manufacturer fails to submit a sample or, having submitted a sample, fails to await a ruling before manufacturing and/or marketing the club, the manufacturer assumes the risk of a ruling that the club does not conform with the *Rules*.

The following paragraphs prescribe general regulations for the design of clubs, together with specifications and interpretations. Further information relating to these regulations and their proper interpretation is provided in “A Guide to the Rules on Clubs and Balls”.

Where a club, or part of a club, is required to meet a specification within the *Rules*, it must be designed and manufactured with the intention of meeting that specification.

I. Clubs

a. General

A club is an implement designed to be used for striking the ball and generally comes in three forms: woods, irons and putters distinguished by shape and intended use. A putter is a club with a loft not exceeding ten degrees designed primarily for use on the *putting green*.

The club must not be substantially different from the traditional and customary form and make. The club must be composed of a shaft and a head and it may also have material added to the shaft to enable the player to obtain a firm hold (see 3 below). All parts of the club must be fixed so that the club is one unit, and it must have no external attachments. Exceptions may be made for attachments that do not affect the performance of the club.

b. Adjustability

All clubs may incorporate mechanisms for weight adjustment. Other forms of adjustability may also be permitted upon evaluation by the *R&A*. The following requirements apply to all permissible methods of adjustment:

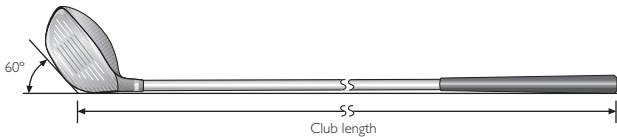
- (i) the adjustment cannot be readily made;
- (ii) all adjustable parts are firmly fixed and there is no reasonable likelihood of them working loose during a round; and
- (iii) all configurations of adjustment conform with the *Rules*.

During a *stipulated round*, the playing characteristics of a club must not be purposely changed by adjustment or by any other means (see Rule 4-2a).

c. Length

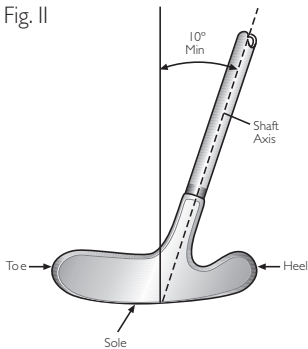
The overall length of the club must be at least 18 inches (0.457 m) and, except for putters, must not exceed 48 inches (1.219 m).

Fig. I



For woods and irons, the measurement of length is taken when the club is lying on a horizontal plane and the sole is set against a 60 degree plane as shown in Fig. I. The length is defined as the distance from the point of the intersection between the two planes to the top of the grip. For putters, the measurement of length is taken from the top of the grip along the axis of the shaft or a straight line extension of it to the sole of the club.

Fig. II

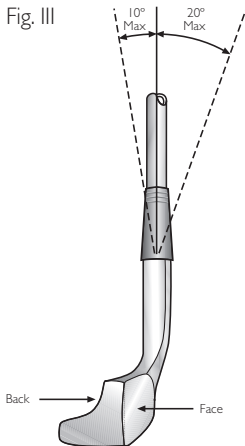


d. Alignment

When the club is in its normal address position the shaft must be so aligned that:

- (i) the projection of the straight part of the shaft on to the vertical plane through the toe and heel must diverge from the vertical by at least 10 degrees (see Fig. II). If the overall design of the club is such that the player can effectively use the club in a vertical or close-to-vertical position, the shaft may be required to diverge from the vertical in this plane by as much as 25 degrees;

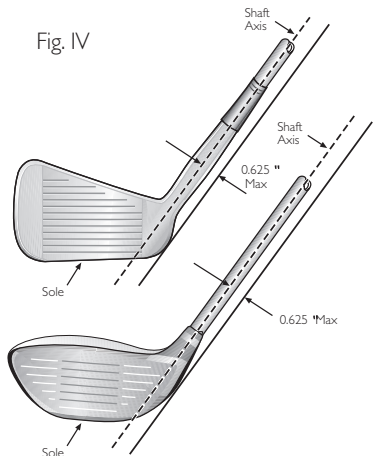
Fig. III



Except for putters, all of the heel portion of the club must lie within 0.625 inches (15.88 mm) of the plane containing the axis of the straight part of the shaft and the intended (horizontal) *line of play* (see Fig. IV).

- (ii) the projection of the straight part of the shaft on to the vertical plane along the intended *line of play* must not diverge from the vertical by more than 20 degrees forwards or 10 degrees backwards (see Fig. III).

Fig. IV



2. Shaft

a. Straightness

The shaft must be straight from the top of the grip to a point not more than 5 inches (127 mm) above the sole, measured from the point where the shaft ceases to be straight along the axis of the bent part of the shaft and the neck and/or socket (see Fig.V).

b. Bending and Twisting Properties

At any point along its length, the shaft must:

- (i) bend in such a way that the deflection is the same regardless of how the shaft is rotated about its longitudinal axis; and
- (ii) twist the same amount in both directions.

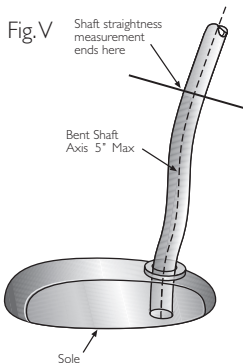
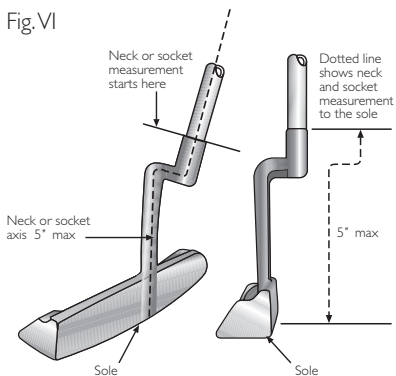


Fig.V

Fig.VI



c. Attachment to Clubhead

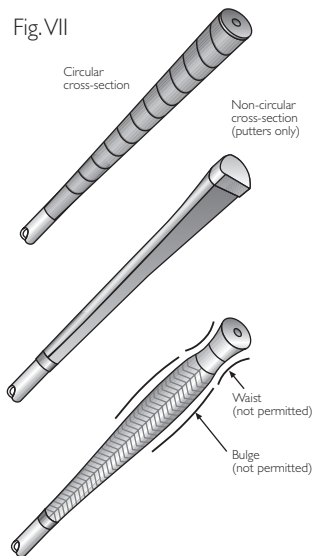
The shaft must be attached to the clubhead at the heel either directly or through a single plain neck and/or socket. The length from the top of the neck and/or socket to the sole of the club must not exceed 5 inches (127 mm), measured along the axis of, and following any bend in, the neck and/or socket (see Fig.VI).

Exception for Putters: The shaft or neck or socket of a putter may be fixed at any point in the head.

3. Grip (see Fig. VII)

The grip consists of material added to the shaft to enable the player to obtain a firm hold. The grip must be fixed to the shaft, must be straight and plain in form, must extend to the end of the shaft and must not be moulded for any part of the hands. If no material is added, that portion of the shaft designed to be held by the player must be considered the grip.

- (i) For clubs other than putters the grip must be circular in cross-section, except that a continuous, straight, slightly raised rib may be incorporated along the full length of the grip, and a slightly indented spiral is permitted on a wrapped grip or a replica of one.
- (ii) A putter grip may have a non-circular cross-section, provided the cross-section has no concavity, is symmetrical and remains generally similar throughout the length of the grip. (See Clause (v) overleaf).
- (iii) The grip may be tapered but must not have any bulge or waist. Its cross-sectional dimensions measured in any direction must not exceed 1.75 inches (44.45 mm).



- (iv) For clubs other than putters the axis of the grip must coincide with the axis of the shaft.
- (v) A putter may have two grips provided each is circular in cross-section, the axis of each coincides with the axis of the shaft, and they are separated by at least 1.5 inches (38.1 mm).

4. Clubhead

a. Plain in Shape

The clubhead must be generally plain in shape. All parts must be rigid, structural in nature and functional. The clubhead or its parts must not be designed to resemble any other object. It is not practicable to define plain in shape precisely and comprehensively. However, features that are deemed to be in breach of this requirement and are therefore not permitted include, but are not limited to:

(i) All Clubs

- holes through the face;
- holes through the head (some exceptions may be made for putters and cavity back irons);
- features that are for the purpose of meeting dimensional specifications;
- features that extend into or ahead of the face;
- features that extend significantly above the top line of the head;
- furrows in or runners on the head that extend into the face (some exceptions may be made for putters); and
- optical or electronic devices.

(ii) Woods and Irons

- all features listed in (i) above;
- cavities in the outline of the heel and/or the toe of the head that can be viewed from above;
- severe or multiple cavities in the outline of the back of the head that can be viewed from above;
- transparent material added to the head with the intention of rendering

conforming a feature that is not otherwise permitted; and

- features that extend beyond the outline of the head when viewed from above.

b. Dimensions, Volume and Moment of Inertia

(i) Woods

When the club is in a 60 degree lie angle, the dimensions of the clubhead must be such that:

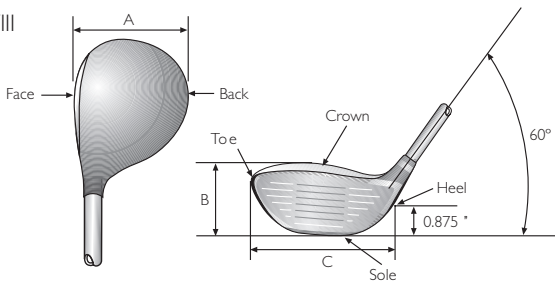
- the distance from the heel to the toe of the clubhead is greater than the distance from the face to the back;
- the distance from the heel to the toe of the clubhead is not greater than 5 inches (127 mm); and
- the distance from the sole to the crown of the clubhead, including any permitted features, is not greater than 2.8 inches (71.12 mm).

These dimensions are measured on horizontal lines between vertical projections of the outermost points of:

- the heel and the toe; and
- the face and the back (see Fig.VIII, dimension A);

and on vertical lines between the horizontal projections of the outermost points of the sole and the crown (see Fig.VIII, dimension B). If the outermost point of the heel is not clearly defined, it is deemed to be 0.875 inches (22.23 mm) above the horizontal plane on which the club is lying (see Fig.VIII, dimension C).

Fig. VIII



The volume of the clubhead must not exceed 460 cubic centimetres (28.06 cubic inches), plus a tolerance of 10 cubic centimetres (0.61 cubic inches).

When the club is in a 60 degree lie angle, the moment of inertia component around the vertical axis through the clubhead's centre of gravity must not exceed 5900 g cm² (32.259 oz in²), plus a test tolerance of 100 g cm² (0.547 oz in²).

(ii) Irons

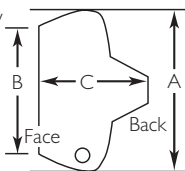
When the clubhead is in its normal address position, the dimensions of the head must be such that the distance from the heel to the toe is greater than the distance from the face to the back.

(iii) Putters (see Fig. IX)

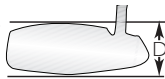
When the clubhead is in its normal address position, the dimensions of the head must be such that:

- the distance from the heel to the toe is greater than the distance from the face to the back;
- the distance from the heel to the toe of the head is less than or equal to 7 inches (177.8 mm);
- the distance from the heel to the toe of the face is greater than or equal to two thirds of the distance from the face to the back of the head;
- the distance from the heel to the toe of the face is greater than or equal to half of the distance from the heel to the toe of the head; and
- the distance from the sole to the top of the head, including any permitted features, is less than or equal to 2.5 inches (63.5 mm).

Fig. IX Top View



Face View



- | |
|----------------|
| $A \leq 7"$ |
| $B \geq 2/3 C$ |
| $B \geq 1/2 A$ |
| $A > C$ |
| $D \leq 2.5"$ |

For traditionally shaped heads, these dimensions will be measured on horizontal lines between vertical projections of the outermost points of:

- the heel and the toe of the head;
- the heel and the toe of the face; and
- the face and the back;

and on vertical lines between the horizontal projections of the outermost points of the sole and the top of the head.

For unusually shaped heads, the toe to heel dimension may be made at the face.

c. Spring Effect and Dynamic Properties

The design, material and/or construction of, or any treatment to, the clubhead (which includes the club face) must not:

- (i) have the effect of a spring which exceeds the limit set forth in the Pendulum Test Protocol on file with the R&A; or
- (ii) incorporate features or technology including, but not limited to, separate springs or spring features, that have the intent of, or the effect of, unduly influencing the clubhead's spring effect; or
- (iii) unduly influence the movement of the ball.

Note: (i) above does not apply to putters.

d. Striking Faces

The clubhead must have only one striking face, except that a putter may have two such faces if their characteristics are the same, and they are opposite each other.

5. Club Face

a. General

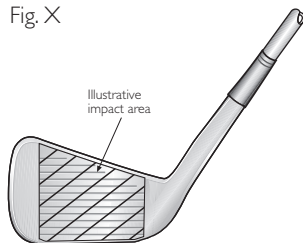
The face of the club must be hard and rigid and must not impart significantly more or less spin to the ball than a standard steel face (some exceptions may be made for putters). Except for such markings listed below, the club face must be smooth and must not have any degree of concavity.

b. Impact Area Roughness and Material

Except for markings specified in the following paragraphs, the surface roughness within the area where impact is intended (the “impact area”) must not exceed that of decorative sandblasting, or of fine milling (see Fig. X).

The whole of the impact area must be of the same material (exceptions may be made for clubheads made of wood).

Fig. X



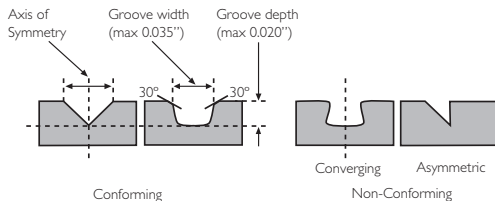
c. Impact Area Markings

If a club has grooves and/or punch marks in the impact area they must be designed and manufactured to meet the following specifications:

(i) Grooves

- Grooves must not have sharp edges or raised lips (test on file).
- Grooves must be straight and parallel.
- Grooves must have a symmetrical cross-section and have sides which do not converge (see Fig. XI).

Fig. XI



- The width, spacing and cross-section of the grooves must be consistent throughout the impact area.
- Any rounding of groove edges must be in the form of a radius which does not exceed 0.020 inches (0.508 mm).

- The width of each groove must not exceed 0.035 inches (0.9 mm), using the 30 degree method of measurement on file with the R&A.
- The distance between edges of adjacent grooves must not be less than three times the width of the grooves, and not less than 0.075 inches (1.905 mm).
- The depth of each groove must not exceed 0.020 inches (0.508 mm).

(ii) Punch Marks.

- The area of any punch mark must not exceed 0.0044 square inches (2.84 sq. mm).
- The distance between adjacent punch marks (or between punch marks and grooves) must not be less than 0.168 inches (4.27 mm), measured from centre to centre.
- The depth of any punch mark must not exceed 0.040 inches (1.02 mm).
- Punch marks must not have sharp edges or raised lips (test on file).

d. Decorative Markings

The centre of the impact area may be indicated by a design within the boundary of a square whose sides are 0.375 inches (9.53 mm) in length. Such a design must not unduly influence the movement of the ball. Decorative markings are permitted outside the impact area.

e. Non-Metallic Club Face Markings

The above specifications do not apply to clubheads made of wood on which the impact area of the face is of a material of hardness less than the hardness of metal and whose loft angle is 24 degrees or less, but markings which could unduly influence the movement of the ball are prohibited.

f. Putter Face Markings

Any markings on the face of a putter must not have sharp edges or raised lips. The specifications with regard to roughness, material and markings in the impact area do not apply.

Appendix III – The Ball

1. General

The ball must not be substantially different from the traditional and customary form and make. The material and construction of the ball must not be contrary to the purpose and intent of the *Rules*.

2. Weight

The weight of the ball must not be greater than 1.620 ounces avoirdupois (45.93 g).

3. Size

The diameter of the ball must not be less than 1.680 inches (42.67mm). This specification will be satisfied if, under its own weight, a ball falls through a 1.680 inches diameter ring gauge in fewer than 25 out of 100 randomly selected positions, the test being carried out at a temperature of 23 +/-1°C.

4. Spherical Symmetry

The ball must not be designed, manufactured or intentionally modified to have properties which differ from those of a spherically symmetrical ball.

5. Initial Velocity

The initial velocity of the ball must not exceed the limit specified (test on file) when measured on apparatus approved by the R&A.

6. Overall Distance Standard

The combined carry and roll of the ball, when tested on apparatus approved by the R&A, must not exceed the distance specified under the conditions set forth in the Overall Distance Standard for golf balls on file with the R&A.



Rules of Amateur Status

as approved by R&A Rules Limited

Effective 1 January 2008

Preamble

The R&A reserves the right to change the Rules of Amateur Status and to make and change the interpretations of the Rules of Amateur Status at any time.

In the Rules of Amateur Status, the gender used in relation to any person is understood to include both genders.

Definitions

The Definitions are listed alphabetically and, in the *Rules* themselves, defined terms are in *italics*.

Amateur Golfer

An "amateur golfer" is one who plays the game as a non-remunerative and non-profit making sport and who does not receive remuneration for teaching golf or for other activities because of *golf skill or reputation*, except as provided in the *Rules*.

Committee

The "Committee" is the appropriate *Committee* of the *Governing Body*.

Note: In Great Britain and Ireland, the *Committee* is the Amateur Status Committee of the R&A.

Golf Skill or Reputation

It is a matter for the *Governing Body* to decide whether a particular *amateur golfer* has *golf skill or reputation*.

Generally, an *amateur golfer* is only considered to have *golf skill* if he:

- (a) has had competitive success at a local or national level or has been selected to represent his national, regional, state or county union or association; or
- (b) competes at an elite level.

Golf reputation can only be gained through *golf skill* and does not include prominence for service to the game of golf as an administrator.

Governing Body

The “Governing Body” for the Rules of Amateur Status in any country is the national union of that country.

Note: In Great Britain and Ireland, the R&A is the *Governing Body*.

Instruction

“Instruction” covers teaching the physical aspects of playing golf, i.e. the actual mechanics of swinging a golf club and hitting a golf ball.

Note: *Instruction* does not cover teaching the psychological aspects of the game or the etiquette or Rules of Golf.

Junior Golfer

A “junior golfer” is an *amateur golfer* who has not reached a specified age as determined by the *Governing Body*.

Note: In Great Britain and Ireland, a *junior golfer* is an *amateur golfer* who has not reached his 18th birthday in the year prior to the event.

Prize Voucher

A “prize voucher” is a voucher or gift certificate issued by the Committee in charge of a competition for the purchase of goods from a professional’s shop or other retail source.

R&A

The “R&A” means R&A Rules Limited.

Retail Value

The “retail value” of a prize is the price at which the prize is generally available from a retail source at the time of the award.

Rule or Rules

The term “Rule” or “Rules” refers to the Rules of Amateur Status as determined by the *Governing Body*.

Symbolic Prize

A “symbolic prize” is a trophy made of gold, silver, ceramic, glass or the like that is permanently and distinctively engraved.

Testimonial Award

A “testimonial award” is an award for notable performances or contributions to golf as distinguished from competition prizes. A testimonial award may not be a monetary award.

Rule 1

Amateurism

1-1. General

An *amateur golfer* must play the game and conduct himself in accordance with the *Rules*.

1-2. Amateur Status

Amateur Status is a universal condition of eligibility for playing in golf competitions as an *amateur golfer*. A person who acts contrary to the *Rules* may forfeit his status as an *amateur golfer* and as a result will be ineligible to play in amateur competitions.

1-3. Purpose and Spirit of the Rules

The purpose and spirit of the *Rules* is to maintain the distinction between amateur golf and professional golf and to keep the amateur game as free as possible from the abuses that may follow from uncontrolled sponsorship and financial incentive. It is considered necessary to safeguard amateur golf, which is largely self-regulating with regard to the *Rules* of play and handicapping, so that it can be fully enjoyed by all *amateur golfers*.

1-4. Doubt as to Rules

A person who wishes to be an *amateur golfer* and who is in doubt as to whether taking a proposed course of action is permitted under the *Rules* should consult the *Governing Body*.

An organiser or sponsor of an amateur golf competition or a competition involving *amateur golfers* who is in doubt as to whether a proposal is in accordance with the *Rules* should consult the *Governing Body*.

Rule 2 Professionalism

2-1. General

Except as provided in the *Rules*, an *amateur golfer* must not take any action for the purpose of becoming a professional golfer and must not identify himself as a professional golfer.

Note 1: Actions by an *amateur golfer* for the purpose of becoming a professional golfer include, but are not limited to:

- (a) accepting the position of a professional golfer;
- (b) receiving services or payment, directly or indirectly, from a professional agent;
- (c) entering into a written or oral agreement, directly or indirectly, with a professional agent or sponsor; and
- (d) agreeing to accept payment or compensation, directly or indirectly, for allowing his name or likeness as a player of *golf skill or reputation* to be used for any commercial purpose.

Note 2: An *amateur golfer* may enquire as to his likely prospects as a professional golfer; including applying unsuccessfully for the position of a professional golfer; and he may work in a professional's shop and receive payment or compensation, provided he does not infringe the *Rules* in any other way.

2-2. Membership of Professional Golfers' Organisations

a. Professional Golfers' Association

An *amateur golfer* must not hold or retain membership of any Professional Golfers' Association.

b. Professional Tours

An *amateur golfer* must not hold or retain membership of a

Professional Tour limited exclusively to professional golfers.

Note: If an *amateur golfer* must compete in one or more qualifying competitions in order to be eligible for membership of a Professional Tour, he may enter and play in such qualifying competitions without forfeiting his Amateur Status, provided, in advance of play and in writing, he waives his right to any prize money in the competition.

Rule 3

Prizes

3-1. Playing for Prize Money

An *amateur golfer* must not play golf for prize money or its equivalent in a match, competition or exhibition.

Note: An *amateur golfer* may participate in an event where prize money or its equivalent is offered, provided that prior to participation he waives his right to accept prize money in that event.

(Conduct contrary to the purpose and spirit of the Rules – see Rule 7-2)
(Policy on gambling – see Appendix)

Rule 3-2. Prize Limits

a. General

An *amateur golfer* must not accept a prize (other than a *symbolic prize*) or *prize voucher* of *retail value* in excess of £500 or the equivalent, or such a lesser figure as may be decided by the *Governing Body*. This limit applies to the total prizes or *prize vouchers* received by an *amateur golfer* in any one competition or series of competitions, excluding any hole-in-one prize (see Rule 3-2b).

b. Hole-in-One Prizes

The limits prescribed in Rule 3-2a apply to a prize for a hole-in-one. However, such a prize may be accepted in addition to any other prize won in the same competition.

c. Exchanging Prizes

An *amateur golfer* must not exchange a prize or *prize voucher* for cash.

Exception: An *amateur golfer* may submit a *prize voucher* to a national, regional, state or county union or association and thereafter be reimbursed from the value of that voucher for expenses incurred in participating in a golf competition, provided the reimbursement of such expenses is permitted under Rule 4-2.

Note 1: The responsibility to prove the *retail value* of a particular prize rests with the Committee in charge of the competition.

Note 2: It is recommended that the total value of prizes in a gross competition, or each division of a handicap competition, should not exceed twice the prescribed limit in an 18-hole competition, three times in a 36-hole competition, five times in a 54-hole competition and six times in a 72-hole competition.

3-3. Testimonial Awards

a. General

An *amateur golfer* must not accept a *testimonial award* of *retail value* in excess of the limits prescribed in Rule 3-2a.

b. Multiple Awards

An *amateur golfer* may accept more than one *testimonial award* from different donors, even though their total *retail value* exceeds the prescribed limit, provided they are not presented so as to evade the limit for a single award.

Rule 4

Expenses

4-1. General

Except as provided in the *Rules*, an *amateur golfer* must not accept expenses, in money or otherwise, from any source to play in a golf competition or exhibition.

4-2. Receipt of Expenses

An *amateur golfer* may receive reasonable expenses, not exceeding the

actual expenses incurred, to play in a golf competition or exhibition as follows:

a. Family Support

An *amateur golfer* may receive expenses from a member of his family or a legal guardian.

b. Junior Golfers

A *junior golfer* may receive expenses when competing in a competition limited exclusively to *junior golfers*.

c. Individual Events

An *amateur golfer* may receive expenses when competing in individual events provided he complies with the following provisions:

- (i) Where the competition is to take place in the player's own country the expenses must be approved by and paid through the player's national, regional, state or county union or association.
- (ii) Where the competition is to take place in another country the expenses must be approved by both the player's national union or association and the national union or association in the country in which the competition is to be staged. The expenses must be paid through the player's national, regional, state or county union or association or, subject to the approval of the player's national union or association, by the body controlling golf in the territory he is visiting.

The *Governing Body* may limit the receipt of expenses to a specific number of competitive days in any one calendar year and an *amateur golfer* must not exceed any such limit. In such a case, the expenses are deemed to include reasonable travel time and practice days in connection with the competitive days.

Exception: An *amateur golfer* must not receive expenses, directly or indirectly, from a professional agent (see Rule 2-1) or any other similar source as may be determined by the *Governing Body*.

Note: An *amateur golfer of golf skill or reputation* must not promote or advertise the source of any expenses received (see Rule 6-2).

d. Team Events

An *amateur golfer*, may receive expenses when he is representing:

- his country,
- his regional, state or county union or association,
- his golf club,
- his business or industry, or
- a similar body

in a team competition, practice session or training camp.

Note 1: A “similar body” includes a recognised educational institution or military service.

Note 2: Unless otherwise stated, the expenses must be paid by the body that the *amateur golfer* is representing or the body controlling golf in the country he is visiting.

e. Invitation Unrelated to Golf Skill

An *amateur golfer* who is invited for reasons unrelated to *golf skill* (e.g. a celebrity, a business associate or customer) to take part in a golf event may receive expenses.

f. Exhibitions

An *amateur golfer* who is participating in an exhibition in aid of a recognised charity may receive expenses, provided that the exhibition is not run in connection with another golfing event in which the player is competing.

g. Sponsored Handicap Competitions

An *amateur golfer* may receive expenses when competing in a sponsored handicap competition, provided the competition has been approved as follows:

- (i) Where the competition is to take place in the player's own country, the annual approval of the *Governing Body* must first be obtained in advance by the sponsor; and
- (ii) Where the competition is to take place in more than one country or involves golfers from another country, the approval of each

Governing Body must first be obtained in advance by the sponsor. The application for this approval should be sent to the *Governing Body* in the country where the competition commences.

Rule 5

Instruction

5-1. General

Except as provided in the *Rules*, an *amateur golfer* must not receive payment or compensation, directly or indirectly, for giving *instruction* in playing golf.

5-2. Where Payment Permitted

a. Schools, Colleges, Camps, etc.

An *amateur golfer* who is (i) an employee of an educational institution or system or (ii) a counsellor at a camp or other similar organised programme, may receive payment or compensation for golf *instruction* to students in the institution, system or camp, provided that the total time devoted to golf *instruction* comprises less than 50 percent of the time spent in the performance of all duties as such an employee or counsellor.

b. Approved Programmes

An *amateur golfer* may receive expenses, payment or compensation for giving golf *instruction* as part of a programme that has been approved in advance by the *Governing Body*.

5-3. Instruction in Writing

An *amateur golfer* may receive payment or compensation for golf *instruction* in writing, provided his ability or reputation as a golfer was not a major factor in his employment or in the commission or sale of his work.

Rule 6 Use of Golf Skill or Reputation

6-1. General

Except as provided in the *Rules*, an *amateur golfer of golf skill or reputation* must not use that skill or reputation to promote, advertise or sell anything or for any financial gain.

6-2. Lending Name or Likeness

An *amateur golfer of golf skill or reputation* must not use that skill or reputation to obtain payment, compensation, personal benefit or any financial gain, directly or indirectly, for allowing his name or likeness to be used for the advertisement or sale of anything.

Exception: An amateur golfer of golf skill or reputation may allow his name or likeness to be used to promote:

- (a) his national, regional, state or county union or association; or
- (b) subject to the permission of his national union, (i) any golf competition or other event that is considered to be in the best interests of, or would contribute to the development of, the game or (ii) a recognised charity (or similar good cause).

The amateur golfer must not obtain any payment, compensation or financial gain, directly or indirectly, for doing so.

Note: An *amateur golfer* may accept golf equipment from anyone dealing in such equipment provided no advertising is involved.

6-3. Personal Appearance

An *amateur golfer of golf skill or reputation* must not use that skill or reputation to obtain payment, compensation, personal benefit or any financial gain, directly or indirectly, for a personal appearance.

Exception: An *amateur golfer* may receive actual expenses in connection with a personal appearance provided no golf competition or exhibition is involved.

6-4. Broadcasting and Writing

An *amateur golfer of golf skill or reputation* may receive payment, compensation, personal benefit or any financial gain from broadcasting or writing provided:

- (a) the broadcasting or writing is part of his primary occupation or career and *golf instruction* is not included (Rule 5); or
- (b) the broadcasting or writing is on a part-time basis, the player is actually the author of the commentary, articles or books and *instruction* in playing golf is not included.

Note: An *amateur golfer of golf skill or reputation* must not promote or advertise anything within the commentary, article or books and must not lend his name or likeness to the promotion or sale of the commentary, article or books (see Rule 6-2).

6-5. Grants, Scholarships and Bursaries

An *amateur golfer of golf skill or reputation* must not accept the benefits of a grant, scholarship or bursary, except one whose terms and conditions have been approved by the *Governing Body*.

6-6. Membership

An *amateur golfer of golf skill or reputation* must not accept an offer of membership in a Golf Club or privileges at a golf course, without full payment for the class of membership or privilege, if such an offer is made as an inducement to play for that Club or course.

Rule 7

Other Conduct Incompatible with Amateurism

7-1. Conduct Detrimental to Amateurism

An *amateur golfer* must not act in a manner that is detrimental to the best interests of the amateur game.

7-2. Conduct Contrary to the Purpose and Spirit of the Rules

An *amateur golfer* must not take any action, including actions relating to golf gambling, that is contrary to the purpose and spirit of the *Rules*.

(Policy on gambling – see Appendix)

Rule 8 Procedure for Enforcement of the Rules

8-1. Decision on a Breach

If a possible breach of the *Rules* by a person claiming to be an *amateur golfer* comes to the attention of the *Committee*, it is a matter for the *Committee* to decide whether a breach has occurred. Each case will be investigated to the extent deemed appropriate by the *Committee* and considered on its merits. The decision of the *Committee* is final, subject to an appeal as provided in these *Rules*.

8-2. Enforcement

Upon a decision that a person has breached the *Rules*, the *Committee* may declare the Amateur Status of the person forfeited or require the person to refrain or desist from specified actions as a condition of retaining his Amateur Status.

The *Committee* should notify the person and may notify any interested golf union or association of any action taken under Rule 8-2.

8-3. Appeals Procedure

Each *Governing Body* should establish a process or procedure through which any decision concerning enforcement of these *Rules* may be appealed by the person affected.

Note: If a person, whose *Governing Body* is the R&A, is affected by a decision made by the Amateur Status Committee of the R&A in respect of the enforcement of these *Rules*, that person may raise an appeal of that decision with the R&A Appeals Committee.

Rule 9 Reinstatement of Amateur Status

9-1. General

The *Committee* has the sole authority to reinstate a person to Amateur Status, prescribe a waiting period necessary for reinstatement or to deny reinstatement, subject to an appeal as provided in the *Rules*.

9-2. Applications for Reinstatement

Each application for reinstatement will be considered on its merits, with consideration normally being given to the following principles:

a. Awaiting Reinstatement

The professional golfer is considered to hold an advantage over the *amateur golfer* by reason of having devoted himself to the game as his profession; other persons infringing the *Rules* also obtain advantages not available to the *amateur golfer*. They do not necessarily lose such advantages merely by deciding to cease infringing the *Rules*. Therefore, an applicant for reinstatement to Amateur Status must undergo a period awaiting reinstatement as prescribed by the *Committee*.

The period awaiting reinstatement generally starts from the date of the person's last breach of the *Rules* unless the *Committee* decides that it starts from either (a) the date when the person's last breach became known to the *Committee*, or (b) such other date determined by the *Committee*.

b. Period Awaiting Reinstatement

(i) Professionalism

Generally, the period awaiting reinstatement is related to the period the person was in breach of the *Rules*. However, no applicant is normally eligible for reinstatement until he has conducted himself in accordance with the *Rules* for a period of at least one year.

It is recommended that the following guidelines on periods awaiting reinstatement be applied by the *Committee*:

Period of Breach	Period Awaiting Reinstatement:
under 5 years	1 year
5 years or more	2 years

However, the period may be extended if the applicant has played extensively for prize money, regardless of performance. In all cases, the *Committee* reserves the right to extend or to shorten the period awaiting reinstatement.

(ii) Other Breaches of the Rules

A period awaiting reinstatement of one year will normally be required. However, the period may be extended if the breach is considered serious.

c. Number of Reinstatements

A person is not normally eligible to be reinstated more than twice.

d. Players of National Prominence

A player of national prominence who has been in breach of the *Rules* for more than five years is not normally eligible for reinstatement.

e. Status While Awaiting Reinstatement

An applicant for reinstatement must comply with these *Rules*, as they apply to an *amateur golfer*, during his period awaiting reinstatement.

An applicant for reinstatement is not eligible to enter competitions as an *amateur golfer*. However, he may enter competitions and win a prize solely among members of a Club where he is a member, subject to the approval of the Club. He must not represent such a Club against other Clubs unless with the approval of the Clubs in the competition and/or the organising Committee.

An applicant for reinstatement may enter competitions that are not limited to *amateur golfers*, subject to the conditions of competition, without prejudicing his application, provided he does so as an applicant for reinstatement. He must waive his right to any prize money offered in the competition and must not accept any prize reserved for an *amateur golfer* (Rule 3-1).

9-3. Procedure for Applications

Each application for reinstatement must be submitted to the *Committee*, in accordance with such procedures as may be laid down and including such information as the *Committee* may require.

9-4. Appeals Procedure

Each *Governing Body* should establish a process or procedure through which any decision concerning reinstatement of Amateur Status may be appealed by the person affected.

Note: If a person, whose *Governing Body* is the R&A, is affected by a decision made by the Amateur Status Committee of the R&A in respect of reinstatement of Amateur Status, that person may raise an appeal of that decision with the R&A Appeals Committee.

Rule 10 Committee Decision

10-1. Committee's Decision

The *Committee's* decision is final, subject to an appeal as provided in Rules 8-3 and 9-4.

10-2. Doubt as to Rules

If the *Committee* of a *Governing Body*, other than the R&A, considers the case to be doubtful or not covered by the *Rules*, it may, prior to making its decision, consult with the Amateur Status Committee of the R&A.

Appendix – Policy on Gambling

General

An “amateur golfer” is one who plays the game as a non-remunerative and non-profit making sport. Financial incentive in amateur golf, which can be the result of some forms of gambling or wagering, could give rise to abuse of the Rules both in play and in manipulation of handicaps that would be detrimental to the integrity of the game.

There is a distinction between playing for prize money (Rule 3-1), gambling or wagering that is contrary to the purpose and spirit of the Rules (Rule 7-2), and forms of gambling or wagering that do not, of themselves, breach the Rules. An *amateur golfer* or a Committee in charge of a competition where *amateur golfers* are competing should consult with the *Governing Body* if in any doubt as to the application of the Rules. In the absence of such guidance, it is recommended that no cash prizes be awarded so as to ensure that the Rules are upheld.

Acceptable Forms of Gambling

There is no objection to informal gambling or wagering among individual golfers or teams of golfers when it is incidental to the game. It is not practicable to define informal gambling or wagering precisely, but features that would be consistent with such gambling or wagering include:

- the players in general know each other;
- participation in the gambling or wagering is optional and is limited to the players;
- the sole source of all money won by the players is advanced by the players; and
- the amount of money involved is not generally considered to be excessive.

Therefore, informal gambling or wagering is acceptable provided the primary purpose is the playing of the game for enjoyment, not for financial gain.

Unacceptable Forms of Gambling

Other forms of gambling or wagering where there is a requirement for players to participate (e.g. compulsory sweepstakes) or that have the potential to involve considerable sums of money (e.g. calcuttas and auction sweepstakes – where players or teams are sold by auction) are not approved.

Otherwise, it is difficult to define unacceptable forms of gambling or wagering precisely, but features that would be consistent with such gambling or wagering include:

- participation in the gambling or wagering is open to non-players; and
- the amount of money involved is generally considered to be excessive.

An *amateur golfer's* participation in gambling or wagering that is not approved may be considered contrary to the purpose and spirit of the *Rules* (Rule 7-2) and may endanger his Amateur Status.

Furthermore, organised events designed or promoted to create cash prizes are not permitted. Golfers participating in such events without first irrevocably waiving their right to prize money are deemed to be playing for prize money, in breach of Rule 3-1.

Note: The Rules of Amateur Status do not apply to betting or gambling by *amateur golfers* on the results of a competition limited to or specifically organised for professional golfers.

Index

Abnormal Ground Conditions (Def. Rule 25)	30, 99
Ball accidentally moved in (Rule 12-1)	68
Interference (Rule 25-1a)	99
Nearest point of relief (Def.)	38
Relief (Rule 25-1b)	99
Address Position	
Determining nearest point of relief	38
Addressing the Ball (Def.) See also Stance	30
Ball moving after address (Rule 18-2b)	82
Incurring penalty stroke (Rule 18-2b)	82
Line of putt touched during address (Rule 16-1a)	77
Advice (Def.)	30
During stipulated round (Rule 8-1)	62
In team competitions; condition of competition (App. I)	146
Aeration Holes	
Local Rule (App. I)	133
Animal, Burrowing, Hole By (Def.)	31
Ball moved in search (Rule 12-1)	68
Relief (Rule 25-1b)	99
Artificial Devices	
Distance measuring device local Rule (App. I)	140
Unusual equipment, unusual use of equipment and (Rule 14-3)	73
Artificial Objects	
Distance measuring device local rule (App. I)	140
Definition of obstruction	38
Assistance	
Penalty (Rule 14-2)	73
Ball. See also Addressing the Ball; Dropped Ball; Lifting Ball; List of Conforming Golf Balls; Lost Ball; Moved Ball; Out of Bounds; Placing Ball; Provisional Ball; Second Ball; Striking	
Assisting play (Rule 22-1)	93
In casual water (definition)	32
Cleaning (Rule 21)	93
Damaged, unfit for play (Rule 5-3)	53
Deflected or stopped	
While at rest (Rule 18)	83
While in motion (Rule 19)	86
Embedded	
Local rule (App. I)	125, 131
Relief (Rule 25-2)	102

Exerting influence on (Rule 1-2)	44
Fairly struck (Rule 14-1)	73
Falling off tee (Rule 11-3)	67
Foreign material applied (Rule 5-2)	53
Holed	
Definition	35
Overhanging hole (Rule 16-2)	79
Identification	
Lifting for (Rule 12-2)	69
Marked for (Rules 6-5, 12-2)	56, 69
In ground under repair (definition)	34
In motion	
Deflected or stopped (Rule 19)	84
Removing loose impediment (Rule 23-1)	94
Removing obstruction (Rule 24-1)	95
Influencing movement of (Rule 1-2)	44
Interfering with play (Rule 22-2)	94
Lie	
Altered (Rule 20-3b)	89
Improving (Rule 13-2)	71
List of conforming golf balls	142
Not holed out	
Match play (Rule 2-4)	46
Stroke play (Rule 3-2)	47
Played	
As it lies (Rule 13-1)	70
While moving (Rules 14-5, 14-6)	75
From wrong place, match play (Rule 20-7b)	92
From wrong place, stroke play (Rule 20-7c)	92
Resting against flagstick (Rule 17-4)	81
Searching for (Rule 12-1)	68
Seeing when playing (Rule 12-1)	68
Specifications	
Details (App. III)	162
General (Rule 5-1)	53
Substituting	
Becoming ball in play (Rules 15-2, 20-4)	76, 90
During play of hole (Rule 15-2)	76
If ball is not immediately recoverable (Rules 18 Note 1, 19-1, 24-2b Note 2, 25-1b Note 2)	83, 84, 97, 101
Incorrectly (Rule 20-6)	91
When lost in abnormal ground condition (Rule 25-1c)	101
When lost in obstruction (Rule 24-3)	98
Touched	
By opponent (Rule 18-3)	82

By player, purposely (Rule 18-2a)	82
Unplayable	
Damaged, unfit for play (Rule 5-3)	53
Procedure (Rule 28)	107
In water hazard	
Moving in water (Rule 14-6)	75
Played within, becomes lost or unplayable outside hazard (Rule 26-2b) ...	104
Played within, comes to rest in same hazard (Rule 26-2a)	104
Relief (Rule 26-1)	103
Wrong ball (Def.)	43
Four-ball, match play (Rule 30-3c)	110
Four-ball, stroke play (Rule 31-5)	112
Making stroke at (Rule 15-3)	76
Time spent in playing, definition of lost ball	37
Ball in Play (Def.) See also Ball, played; Moved Ball	30
Provisional ball becoming (Rule 27-2b)	107
Substituted ball (Rule 20-4)	90
Ball Marker	
Moved	
Accidentally (Rule 20-1)	86
After loose impediment touched (Rule 23-1)	94
In process of lifting ball (Rule 20-1)	86
In process of repairing hole plugs or ball marks (Rule 16-1c)	78
In process of replacing ball (Rule 20-3a)	89
Best-Ball Match Play (Def. of forms of match play)	33
Absent partner (Rule 30-3a)	110
Maximum number of clubs (Rule 30-3d)	110
Order of play (Rule 30-3b)	110
Penalty	
Applied to side (Rule 30-3d)	110
Disqualification of side (Rule 30-3e)	111
Effect of other penalties (Rule 30-3f)	111
Blind Draw	
Match play draw (App. I)	148
Bogey Competitions	
Breach requiring deduction of holes (Rule 32-1 Notes 1)	115
Description of (Rule 32-1)	114
Recording scores (Rule 32-1a)	114
Scoring (Rule 32-1a)	114
Undue delay or slow play (Rule 32-1 Note 2)	115
Bunkers (Def.) See also Hazards	31
Prohibited actions in (Rule 13-4)	72

Stones in, local rule (App. I)	125
Unplayable ball in (Rule 28)	107
Burrowing Animals (Def.), Hole made by	31
Ball moved in search (Rule 12-1)	68
Relief (Rule 25-1)	99
Caddie (Def.) See also Equipment	31
Attending the flagstick (Rule 17)	79
Ball moved by (Rules 18-2, 18-3, 18-4)	82, 83
Breach of Rule by (Rule 6-1)	55
Breach in four-ball match play (Rule 30-3d)	110
Breach in four-ball stroke play (Rule 31-6)	113
One per player (Rule 6-4)	56
Position of (Rule 14-2)	73
Prohibiting or restricting caddies (App. I)	143
Casual Water (Def.)	32
Interference by and relief from (Rule 25-1)	99
Chipping	
Practice before round (Rule 7-1b)	61
Practice during round (Rule 7-2)	61
Claims	
Match play	
Claims and penalties (Rule 34-1a)	120
Doubt or disputes (Rule 2-5)	46
Stroke play, claims and penalties (Rule 34-1b)	120
Cleaning Ball	
Course conditions, relief (App. I)	125, 131
Local rule permitting (App. I)	132
On putting green (Rules 16-1b, 21, 22)	78, 93
When prohibited and permitted (Rule 21)	93
When resuming play (Rule 6-8d)	59
When taking relief from	
Abnormal ground condition (Rule 25-1)	99
Environmentally-sensitive area (App. I)	125
Immovable obstruction (Rule 24-2)	96
Movable obstruction (Rule 24-1)	95
Temporary obstruction (App. I)	126
Unplayable ball (Rule 28)	107
Water hazard (Rule 26-1)	103
Clubs	
Adjustability (App. II)	151
Borrowing or sharing (Rule 4-4b)	52
Changing playing characteristics (Rule 4-2)	50

Damaged	
Other than in normal course of play (Rule 4-3b)	51
In normal course of play (Rule 4-3a)	50
Prior to round (Rule 4-3c)	51
Declared out of play (Rule 4-4c)	52
Design and specifications (App. II)	151
Grip	
Artificial aid in gripping (Rule 14-3)	73
Grounding	
In hazard (Rule 13-4)	72
Lightly (Rule 13-2)	71
Length (App. II)	151
List of conforming driver heads condition (App. I)	141
Maximum number allowed (Rule 4-4a)	52
Penalties	
Excess clubs (Rule 4-4)	52
Foreign material applied (Rule 4-2b)	50
Non-conforming clubs (Rule 4-1)	49
Playing characteristics changed (Rule 4-2a)	50
Replacement during round (Rule 4-3a)	50
Samples submitted to the R&A (Rule 4)	49
Shaft (App. II)	154
Shared by partners (Rule 4-4b)	52
Unfit for play (Rule 4-3)	50
Wear and alteration (Rule 4-1b)	49
Committee (Def.) See also Conditions	32
Addition of scores and application of handicap (Rules 6-6	
Note 1, 33-5)	57, 119
Decision	
Final (Rule 34-3)	121
Of ties (Rule 33-6, App. I)	119, 147
Defining	
Bounds and margins of course (Rule 33-2, App. I)	117, 124
Movable obstructions to be immovable (definition of obstruction)	38
Practice ground (Rule 33-2c)	118
Water hazards (definition of water hazard and	
Lateral water hazard)	42, 35
Duties and powers (Rule 33)	117
Establishing conditions (Rule 33-1, App. I)	117, 141
Extending stipulated round in match play to settle a tie (Rule 2-3)	46
Handicap stroke table (Rule 33-4)	119
Local rules made by (Rule 33-8a, App. I)	120, 124
Practice regulations (Rules 7-1, 7-2 Notes)	61, 62
Preventing slow play (Rule 6-7 Note 2)	58

Reporting play of second ball (Rule 3-3a)	47
Reporting correction of serious breach of playing from wrong place (Rule 20-7)	92
Setting times of starting and groups (Rules 6-3, 33-3)	55, 119
Suspension of play by (Rule 6-8b)	59
Competitor (Def.) See also Fellow-Competitor	32
Ball in motion striking (Rule 19)	86
Scoring responsibilities (Rule 6-6)	56
Concession	
Of match, hole or next stroke (Rule 2-4)	46
Conditions	
Advice in team competition (App. I)	146
Anti-doping (App. I)	147
Caddie (App. I)	143
Committee to lay down (Rule 33-1)	117
Course conditions (App. I)	125, 131
Decision of ties (App. I)	147
Draw for match play; general numerical (App. I)	148
List of conforming golf balls (App. I)	142
List of conforming driver heads (App. I)	141
New holes (App. I)	146
One-Ball condition (App. I)	142
Pace of play (App. I)	144
Player responsible for knowing (Rule 6-1)	55
Practice (App. I)	145
Specifications of the ball	
List of conforming golf balls (App. I)	142
One ball condition (App. I)	142
Suspension of play for dangerous situation (App. I)	144
Time of starting (App. I)	143
Transportation (App. I)	146
Course (Def.) See also Ground Under Repair	32
Care of (Etiquette)	28
Conditions of (App. I)	125, 131
Defining bounds and margins of (Rule 33-2a)	117
Priority on (Etiquette)	28
Unplayable (Rule 33-2d)	118
Damaged Ball	
Unfit for play (Rule 5-3)	53
Decisions. See also Committee	
Equity (Rule 1-4)	45
Committees final (Rule 34-3)	121

- Referee's final (Rule 34-2)121
- Delay, Undue. See Slow Play**
- Discontinuance of Play**
- Conditions permitting (Rule 6-8a)58
- Conditions requiring immediate discontinuance
(Rule 6-8b Note, App. I)59, 144
- Lifting ball when play discontinued (Rule 6-8c)59
- Procedure when play suspended by committee (Rule 6-8b)59
- Disputes**
- Of claims (Rules 2-5, 34)46, 120
- Disqualification. See under Penalty**
- Distance**
- Distance measuring device local rule (App. I)140
- Gauging or measuring (Rule 14-3)73
- Sharing of distance information (Def of advice)30
- Divots**
- Repair of divot hole (Etiquette)28
- Replaced (Rule 13-2)71
- Dormie**
- Definition (Rule 2-1)45
- Doubt as to Procedure**
- Match play (Rule 2-5)46
- Stroke play (Rule 3-3)47
- Draw**
- For match play and general numerical (App. I)148
- Dropped Ball. See also Through the Green**
- Dropping zones (App. I)126, 139
- In play (Rule 20-4)90
- Lifting ball wrongly dropped (Rule 20-6)91
- Near a specific spot (Rule 20-2b)87
- Player must drop (Rule 20-2a)87
- Playing dropped ball from wrong place (Rule 20-7)91
- Re-dropping (Rule 20-2c)88
- Rolling
- Out of bounds, into a hazard, nearer hole, etc. (Rule 20-2c)88
 - To position, with interference by the condition from which relief
taken (Rule 20-2c)88
- Touching player or equipment (Rule 20-2a)87
- Embedded Ball**
- Local rule (App. I)125, 131
- Relief (Rule 25-2)102
- Environmentally-Sensitive Areas**

Committee decision on (App. I)	124
Local rule (App. I)	128
Equipment (Def.) See also Ball	32
Artificial devices, unusual equipment and unusual use of (Rule 14-3)	73
Ball moved by (Rules 18-2a, 18-3, 18-4)	82, 83
List of conforming driver heads (App. I)	141
List of conforming golf balls (App. I)	142
Moving while ball in motion (Rule 24-1)	95
Shared golf cart (Def)	32
To alleviate medical condition (Rule 14-3 Exception 1)	74
Used in traditionally accepted manner (Rule 14-3 Exception 2)	74
Equity	
Deciding disputes (Rule 1-4)	45
Fellow-Competitor (Def.)	33
Attending the flagstick (Rule 17)	79
Ball in motion striking (Rule 19-4)	86
Ball moved by (Rule 18-4)	84
Disputing claim of unfit ball (Rule 5-3 Note)	54
Examining ball (Rule 5-3)	53
Identifying ball (Rule 12-2)	69
Flagstick (Def.)	33
Attended, removed or held up (Rule 17-1)	79
Ball resting against (Rule 17-4)	81
Moved while ball in motion (Rule 24-1)	95
Replacing in the hole (Etiquette)	29
Striking (Rule 17-3)	80
Unauthorised attendance (Rule 17-2)	80
Forecaddie (Def.)	33
Definition of outside agency	39
Four-Ball Match Play (Def. of forms of match play)	33
Absent partner (Rule 30-3a)	110
Maximum number of clubs (Rule 30-3d)	110
Order of play (Rule 30-3b)	110
Penalty	
Disqualification of side (Rule 30-3e)	111
Effect of other penalties (Rule 30-3f)	111
Four-Ball Stroke Play (Def. of forms of stroke play)	34
Absent partner (Rule 31-2)	112
Order of play (Rule 31-4)	112
Penalty	
Disqualification penalties (Rule 31-7)	113
Effect of other penalties (Rule 31-8)	114
Recording scores (Rules 6-6d Note 2, 31-3, 31-7)	57, 112, 113

Foursome (Defs. of forms of match and forms of stroke play)	33, 34
Match play (Rule 29-2)	109
Order of play (Rule 29-1)	108
Stroke play (Rule 29-3)	109
Game of Golf	
Definition (Rule 1-1)	44
General Numerical Draw	
Determining places in (App. I)	148
General Penalty. See under Penalty	
Golf Carts	
Condition prohibiting use (App. I)	146
Local regulations (Etiquette)	29
Golf Shoe Spikes	
Repairing damage by (Etiquette)	28
Grass	
Cuttings (definition of ground under repair)	34
In or bordering bunker, not hazard (definition of bunker)	31
Touching	
With club in hazard (Rule 13-4 Note)	72
In finding and identifying ball (Rule 12-1)	68
Green. See Putting Green	
Greenkeeper	
Hole made by, status of (definition of ground under repair)	34
Grip. See under Clubs	
Ground Under Repair (Def.)	34
Ball within moved during search (Rule 12-1)	68
Defined by committee (Rule 33-2a)	117
Local Rule, dropping zones (App. I)	126, 139
Material piled for removal, status of (definition of ground under repair)	34
Play prohibited (App. I)	128
Relief (Rule 25-1)	99
Groups. See also Stroke Play	
Allowing to play through while searching (Etiquette)	28
Priority on the course (Etiquette)	28
Halved Hole (Rule 2-2)	45
Halved Match	
Committee decision of ties (Rule 33-6)	119
Handicap	
Applying, committee's duty (Rule 33-5)	119
Match play (Rule 6-2a)	55
Player's duties (Rule 6-2)	55

Playing off wrong	
Knowingly in stroke play (Rule 34-1b)	120
Match play (Rule 6-2a)	55
Stroke play (Rule 6-2b)	55
Stroke play (Rule 6-2b)	55
Stroke table (Rule 33-4)	119
Hazards (Def.) See also Obstructions	38
Ball in	
Lifted may be dropped or placed back in (Rule 13-4)	72
Rolling into, nearer hole, etc. whether re-drop required (Rule 20-2c)	88
Ball played from one hazard comes to rest in another (Rule 13-4, Exc. 3)	72
Bunkers (definition of bunker)	31
Grounding club in (Rule 13-4)	72
Identifying ball (Rule 12-2)	69
Placing clubs in (Rule 13-4)	72
Practice prohibited from (Rule 7-2)	61
Previous stroke played from (Rule 20-5)	91
Searching for covered ball in (Rule 12-1)	68
Strokes in, with wrong ball (Rule 15-3)	76
Testing conditions (Rule 13-4)	72
Touching ground or water (Rule 13-4)	72
Water hazards	
Ball in, relief	
Dropping zones, Local Rule (App. I)	126, 139
From abnormal ground condition prohibited (Rule 25-1 Note 1)	101
From immovable obstruction prohibited (Rule 24-2 Note 1)	97
Options (Rule 26-1)	103
Ball moving in water played (Rule 14-6)	75
Ball played within becomes lost or unplayable outside hazard (26-2b)	104
Ball played within comes to rest in same hazard (Rule 26-2a)	104
Casual water (definition of casual water)	32
Lateral water hazard (definition of lateral water hazard)	35
Probing in water during search (Rule 12-1)	68
Provisional ball, Local Rule (App. I)	126
Hole (Def.) See also Line of Play; Match Play	35
Ball overhanging (Rule 16-2)	79
Conceding in match play (Rule 2-4)	46
Damaged (Rule 33-2b)	118
Determining score for (Rule 3-3b)	48
Halved (Rule 2-2)	45
Holing Out	
Ball played from teeing ground (Rules 1-1, 15-1)	44, 76
Failure, stroke play (Rule 3-2)	47
Made by burrowing animal (definition of burrowing animal)	31
Made by burrowing animal, reptile or bird	

(definition of abnormal ground condition)	30
Made by greenkeeper (definition of ground under repair)	34
New holes for competition (Rule 33-2b, App. I)	118, 146
Number in a stipulated round (definition of stipulated round)	41
Replacing flagstick in (Etiquette)	29
Testing putting green surface during play of (Rule 16-1d)	78
Time allowed to complete (Rule 6-7 Note 2)	58
Winner of (Rule 2-1)	45
Wrong score (Rule 6-6d)	57
Hole Plugs	
Repairing (Rule 16-1c)	78
Honour (Def.)	
Determining (Rules 10-1a, 10-2a)	65
Order of play (Etiquette)	28
In handicap Par, Bogey or Stableford competitions (Rules 32-1)	114
Identification of Ball. See under Ball, identification	
Information as to Strokes Taken	
General (Rule 9-1)	63
In match play (Rule 9-2)	63
In stroke play (Rule 9-3)	64
Integral Part of the Course	
Construction declared to be by Committee (definition of obstruction, Rule 33-2a)	38, 117
Irregularities of Surface (Rule 13-2)	
Lateral Water Hazard (Def.)	
Committee decision on (App. I)	124
Relief (Rule 26-1)	103
Lie of Ball. See under Ball	
Lifting Ball. See also Cleaning Ball; Nearest Point of Relief	
Assisting play (Rule 22-1)	93
Ball wrongly dropped (Rule 20-6)	91
For identification (Rule 12-2)	69
From wrong place (Rule 20-6)	91
In a bunker (Rules 12-2, 13-4, 24-2b(ii), 25-1b(ii))	69, 72, 97, 100
In or on movable obstruction (Rule 24-1)	95
In water hazard (Rules 12-2, 13-4, 26-1, 26-2)	69, 72, 103, 104
Interfering with play (Rule 22-2)	94
Interference from temporary conditions (App. I)	125, 131
Marking before (Rule 20-1)	86
On putting green (Rule 16-1b)	78
Penalty (Rules 5-3, 6-8c, 12-2, 18-2a, 20-1)	53, 59, 69, 82, 86

Through the green, without penalty (Rules 5-3, 6-8c, 12-2, 22, 24-1, 24-2b, 25-1b)	53, 59, 69, 93, 95, 96, 99
To determine fitness (Rule 5-3)	53
When play discontinued (Rule 6-8c)	59
Lightning	
Dangerous situation (App. I)	144
Discontinuance of play (Rule 6-8a)	58
Line of Play (Def.) See also Line of Putt	36
Improving (Rule 13-2)	71
Indicating	
Other than on putting green (Rule 8-2a)	62
On putting green (Rule 8-2b)	63
Intervention on (Rules 24-2a, 25-1a)	96, 99
Intervention on, Local Rule	
Immovable obstructions close to putting green (App. I)	126, 134
Temporary immovable obstructions (App. I)	126, 135
Position of caddie or partner's caddie (Rule 14-2)	73
Line of Putt (Def.) See also Line of Play	36
Pointing out line for putting (Rule 8-2b)	63
Position of caddie or partner (Rule 14-2)	73
Removal of loose impediments (Rule 16-1a)	77
Repair of hole plugs, ball-marks and other damage (Rule 16-1c)	78
Standing astride or on (Rule 16-1e)	78
Touching (Rule 16-1a)	77
Lines Used to Define	
Ground under repair (Def.)	34
Lateral water hazards (Def.)	35
Out of bounds (Def.)	39
Water hazards (Def.)	42
List of Conforming Driver Heads	
Conditions of competition (Rule 4-1, App. I)	49, 141
List of Conforming Golf Balls	
Conditions of competition (Rule 5-1, App. I)	53, 142
Local Rules. See also Specimen Local Rules	
Dropping zones, use of (App. I)	126, 139
Committee responsibilities (Rule 33-8a, App. I)	120, 124
Conflicting with the Rules of Golf (Rule 33-8)	120
Denying relief from interference with stance by abnormal ground condition (Rule 25-1a)	99
Distance measuring devices local rule (App. I)	140
Preferred lies and winter rules (App. I)	125, 132

Prohibiting play	
From an environmentally-sensitive area (definition of ground under repair; definition of water hazard)	124, 128
From ground under repair (definition of ground under repair; App. I)	124, 128
Waiving penalty (Rule 33-8b)	120
Loose Impediments (Def.) See also Hazards; Obstructions	37
Ball moving after touching (Rule 23-1)	94
Casual water (definition of casual water)	32
On putting green (definition of loose impediment)	37
Relief (Rule 23-1)	94
Removal	
On line of putt (Rule 16-1a)	77
In hazard (Rule 13-4)	72
While ball in motion (Rule 23-1)	94
Stones in bunker; local rule (App. I)	125, 134
Lost Ball (Def.)	37
Abnormal ground conditions (Rule 25-1c)	101
Obstruction (Rule 24-3)	98
Pace of play considerations (Etiquette)	27
Procedure (Rule 27-1)	105
Play of provisional ball (Rule 27-2)	106
In temporary immovable obstructions (App. I)	135
In water hazard (Rule 26-1)	103
Marker (Def.)	38
Disputing claim of unfit ball (Rule 5-3)	53
Doubt as to procedure (Rule 3-3a)	47
Examining ball (Rule 5-3)	53
Identifying ball (Rule 12-2)	69
Outside agency (definition of outside agency)	39
Recording scores	
Bogey and par competitions (Rule 32-1a)	114
Four-ball stroke play (Rule 31-3)	112
Stableford Competition (Rule 32-1b)	115
Stroke play (Rule 6-6a)	56
Reporting penalty to (Rule 9-3)	64
Match. See also Side	41
Conceding (Rule 2-4)	46
Winner of (Rule 2-3)	46
Match Play	
See also Best-Ball Match Play; Four-Ball Match Play; Penalties; Scores	
Ball moved by opponent	
Other than during search (Rule 18-3b)	83

During search (Rule 18-3a)	82
Ball moved by player (Rule 18-2)	82
Claims (Rule 2-5)	46
Combining with stroke play (Rule 33-1)	117
Concession of match, hole or next stroke (Rule 2-4)	46
Discontinuing play by agreement (Rule 6-8a)	58
Draw (App. I)	148
Halved hole (Rule 2-2)	45
Handicap (Rule 6-2a)	55
Information as to strokes taken (Rule 9-2)	63
Order of play (Rules 10-1a, 29-2, 30-3b)	65, 109, 110
Pace of play (Etiquette)	27
Penalties	
Agreement to waive (Rule 1-3)	45
Claims (Rule 2-5)	46
General penalty (Rule 2-6)	47
Reporting to opponent (Rule 9-2)	64
Time limit on imposition (Rule 34-1a)	120
Practice	
Before or between rounds (Rule 7-1a)	60
During round (Rule 7-2)	61
Scoring (Rule 2-1)	45
Slow play (Rule 6-7)	57
Ties, settling (Rule 2-3, App. I)	46, 147
Winner of	
Hole (Rule 2-1)	45
Match (Rule 2-3)	46
Wrong information given as to strokes taken (Rule 9-2)	63
Material Piled for Removal (definition of ground under repair)	34
Measuring	
Artificial device (Rule 14-3, App. I)	73, 140
Ball moved in (Rule 18-6)	83
Moved Ball (Def.) See also Lifting Ball	38
After address (Rule 18-2b)	82
After loose impediment touched (Rule 23-1)	94
By another ball (Rule 18-5)	83
By fellow-competitor (Rule 18-4)	83
By opponent	
Not in search (Rule 18-3b)	83
In searching (Rule 18-3a)	82
In three-ball match (Rule 30-2a)	109
By outside agency (Rule 18-1)	81

By player	
Accidentally (Rule 18-2a)	.82
After address (Rule 18-2b)	.82
After loose impediment touched (Rule 23-1)	.94
Purposely (Rules 1-2, 18-2a)	.44, 82
During search (Rules 18-1, 18-2a, 18-3a, 18-4)	.81, 82, 83
In measuring (Rule 18-6)	.83
In removing	
Ball-marker (Rules 20-1, 20-3a)	.86, 89
Loose impediment (Rule 23-1)	.94
Movable obstruction (Rule 24-1)	.95
In repairing hole plug or ball mark (Rule 16-1c)	.78
In searching	
For ball in abnormal ground condition or obstruction (Rule 12-1)	.68
For covered ball in hazard (Rule 12-1)	.68
In water in water hazard (Rules 12-1, 14-6)	.68, 75
Not immediately recoverable (Rule 18 Note 1)	.83
Playing moving ball (Rule 14-5)	.75
Nearest Point of Relief (Def.)	
In a bunker (Rules 24-2b, 25-1b)	.96, 99
On the putting green (Rules 24-2b, 25-1b)	.96, 99
Reference point for re-dropping (Rule 20-2c(vii))	.88
Through the green (Rules 24-2b, 25-1b)	.96, 99
Numerical Draw	
Determining places in (App. I)	.148
Observer (Def.)	
Outside agency (definition of outside agency)	.39
Obstructions (Def.) See also Hazards; Loose Impediments; Out of Bounds	
Area of intended swing (Rules 24-1, 24-2a, App. I)	.95, 96, 125
Ball lost in (Rule 24-3)	.98
Ball within moved during search (Rule 12-1)	.68
Committee decision on (App. I)	.125
Immovable (Rule 24-2, App. I)	.96, 126
Immovable obstruction close to putting green (App. I)	.126, 134
Interference with lie of ball, stance, intervention on line of play or putt (Rules 24-1, 24-2a, App. I)	.95, 96, 125
Local Rule	
Dropping zones (App. I)	.126, 139
Immovable obstruction close to putting green (App. I)	.126, 134
Stones in bunkers (App. I)	.125, 134
Temporary immovable obstructions (App. I)	.126, 135
Temporary power lines and cables (App. I)	.126, 135
Movable (Rule 24-1)	.95

Removing (Rule 24-1)	95
Touching (Rule 13-4 Note)	72
One Ball Condition	
Conditions of competition (App. I)	142
Opponent	
Attending flagstick without authority (Rule 17-2)	80
Ball deflected by (Rule 19-3, Rule 30-2b)	85, 109
Ball moved by (Rule 18-3)	82
Reporting penalty to (Rule 9-2)	63
Order of Play	
Best-ball and four-ball match play (Rule 30-3b)	110
Consideration for other players (Etiquette)	27
Honour in handicap par, bogey or stableford competitions (Rule 32-1)	114
Match play (Rule 10-1)	65
Stroke play (Rule 10-2)	65
Provisional or second ball played from teeing ground (Rule 10-3)	66
When ball not played as it lies (Rules 10-1 Note, 10-2 Note)	65, 66
Out of Bounds (Def.) See also Obstructions	39
Committee decision on (App. I)	124
Dropped ball rolling out of bounds (Rule 20-2c)	88
Play of provisional ball (Rule 27-2)	106
Objects defining	
Fixed (Rule 13-2)	71
Not obstructions (definition of obstructions)	38
Procedure (Rule 27-1)	105
Stance out of bounds (definition of out of bounds)	39
Outside Agency (Def.)	
Ball at rest moved by (Rule 18-1)	81
Ball in motion deflected or stopped by (Rule 19-1)	84
Fellow-competitor (Def.)	33
Forecaddie (Def.)	33
Marker (Def.)	38
Referee (Def.)	40
Pace of Play	
Preventing slow play (Rule 6-7 Note 2, App. I)	59, 144
When searching for ball (Etiquette)	27
Par Competitions	
Breach requiring deduction of holes (Rule 32-1)	114
Recording scores (Rule 32-1a)	114
Scoring (Rule 32-1a)	114
Undue delay or slow play (Rule 32-1 Note 2)	115

Partner (Def.)	40
Absence	
Best-ball and four-ball match play (Rule 30-3a)	110
Four-ball stroke play (Rule 31-2)	112
Position of during stroke (Rule 14-2)	73
Requesting advice (Rule 8-1)	62
Sharing clubs (Rule 4-4b)	52
Penalty	
Cancelled when round cancelled in stroke play (Rule 33-2d)	118
Disqualification penalty; waiving, modifying or imposing (Rule 33-7)	120
General penalty	
In match play (Rule 2-6)	47
In stroke play (Rule 3-5)	48
Reporting to opponent or marker (Rules 9-2, 9-3)	63, 64
Time limit on imposition	
Match play (Rule 34-1a)	120
Stroke play (Rule 34-1b)	120
Waived	
By agreement (Rule 1-3)	45
By local rule (Rule 33-8b)	120
Penalty Stroke (Def.)	40
Physical Assistance (Rule 14-2)	73
Placing Ball	
If accidentally moved (Rule 20-3a)	89
If ball dropped or placed is in play (Rule 20-4)	90
If ball fails to come to rest on spot (Rule 20-3d)	90
If incorrectly substituted, dropped or placed (Rule 20-6)	91
If original lie is altered (Rule 20-3b)	89
If spot is not determinable (Rule 20-3c)	90
On the spot from which it was moved (Rule 20-3a)	89
Procedure when play resumed (Rule 6-8d)	59
Player	
Ball moved	
Accidentally (Rule 18-2a)	82
After address (Rule 18-2b)	82
After loose impediment touched (Rule 23-1)	94
Purposely (Rules 1-2, 18-2a)	44, 82
Consideration for other players (Etiquette)	27
Examining ball (Rule 5-3)	53
Identifying ball (Rule 12-2)	69
Making a claim (Rule 2-5)	46
Responsibility for playing proper ball (Rules 6-5, 12-2)	56, 69

Practice

Before or between rounds (Rule 7-1)	60
During round (Rule 7-2)	61
Prohibiting on or near putting green, condition (App. I)	145
Preventing unnecessary damage (Etiquette)	29
Specifying practice ground (Rule 33-2c)	118
Swings, not a practice stroke (Rule 7-2 Note 1)	62

Practice Ground

Committee decision on (Rule 33-2c)	118
--	-----

Practice Swings

Not a practice stroke (Rule 7-2 Note 1)	62
Preventing unnecessary damage (Etiquette)	29

Preferred Lies

Committee decision on (App. I)	125
Local rule (App. I)	132

Protection From the Elements (Rule 14-2)

Provisional Ball (Def.)	40
--------------------------------------	----

Abandoned (Rule 27-2c)	107
Becoming ball in play (definition of lost ball, Rule 27-2b)	37, 107
From teeing ground (Rule 10-3)	66
Local rule permitting play of provisional when water hazard involved (App. I)	124, 126
Pace of play considerations (Etiquette)	27
When permitted (Rule 27-2)	106

Putting Green (Def.) See also Hazards; Loose Impediments; Obstructions

Aeration holes (App. I)	133
-------------------------------	-----

Ball

Cleaning (Rules 16-1b, 21, 22)	78, 93
In abnormal ground conditions (Rule 25-1b)	99
Lifting (Rule 16-1b, 21)	78, 93
Overhanging hole (Rule 16-2)	79
Conceding opponent's next stroke (Rule 2-4)	46
Failure to hole out in stroke play (Rule 3-2)	47
Immovable obstruction close to putting green (App. I)	126, 134
Indicating line for putting (Rule 8-2b)	63
Leaving when hole is completed (Etiquette)	27
Line of putt	
Position of caddie or partner (Rule 14-2)	73
Standing astride or on (Rule 16-1e)	79
Testing surface (Rule 16-1d)	79
Touching (Rule 16-1a)	78
Loose impediments on (definition of loose impediments)	37

Making claim before leaving (Rule 2-5)	46
Nearest point of relief (Rules 24-2b, 25-1b)	96, 99
Practice	
Before or between rounds (Rule 7-1b)	61
During round (Rule 7-2)	61
Repairing damage to (Etiquette, Rule 16-1c)	28, 78
Testing surface (Rule 16-1d)	78
Wrong putting green	
Definition	43
Interference by and relief (Rule 25-3)	102
Referee (Def.)	40
Decisions final (Rule 34-2)	121
Limiting duties of by committee (Rule 33-1)	117
Outside agency (definition of outside agency)	39
Rub of the Green (Def.)	41
Ball accidentally deflected or stopped by an outside agency (Rule 19-1)	84
Rules (Def.) See also Penalty	41
Applying in three-ball, best-ball and four-ball match play (Rule 30-1)	109
Authorisation to modify (App. I)	124
Breached, general penalty	
In match play (Rule 2-6)	47
In stroke play (Rule 3-5)	48
Local rules (Rule 33-8, App. I)	120, 124
Player responsibilities (Rule 6-1)	55
Points not covered by (Rule 1-4)	45
Refusal to comply, stroke play (Rule 3-4)	48
Waiving	
By agreement (Rule 1-3)	45
Committee decision on (Rule 33-1)	117
Safety	
Considerations (Etiquette)	26
Scorer. See Marker	
Scores	
Alteration prohibited after return (Rule 6-6c)	57
Committee responsibilities (Rule 33-5)	119
Competitor responsibilities (Rules 6-6b, 6-6d, 31-3)	57, 112
Determining for hole when second ball played, stroke play (Rule 3-3b)	48
Four-ball stroke play (Rule 31-3)	112
Marker responsibilities (Rules 6-6a, 31-3, 32-1b)	56, 112, 115
Wrong score (Rule 6-6d)	57

Second Ball

Determining score for hole (Rule 3-3b)	48
From teeing ground (Rule 10-3)	66
Played when in doubt as to procedure (Rule 3-3)	47

Side (Def.)	41
--------------------------	----

Disqualification of

Best-ball or four-ball match play (Rule 30-3e)	111
Four-ball stroke play (Rule 31-7)	113

Order of play

Best-ball or four-ball match play (Rule 30-3b)	110
Four-ball stroke play (Rule 31-4)	112
Honour on teeing ground (Rule 10-1a)	65

Penalty, maximum of 14 clubs

Best-ball or four-ball match play (Rule 30-3d)	110
Four-ball stroke play (Rule 31-6)	113

Representation of

Best-ball, four-ball match play (Rule 30-3a)	110
Four-ball stroke play (Rule 31-2)	112

Single (Defs. of forms of match play and forms of stroke play)	33, 34
---	--------

Slow Play

Penalty (Rule 6-7)	57
Stroke play, condition modifying penalty (Rule 6-7 Note 2)	58

Specimen Local Rules

Adopting (App. I, Part B)	126
Aeration holes (App. I)	133
Cleaning ball (App. I)	132
Dropping zones (App. I)	139
Embedded ball (App. I)	131
Environmentally-sensitive areas (App. I)	128
Ground under repair; play prohibited (App. I)	128
Immovable obstruction close to putting green (App. I)	134
Preferred lies and winter rules (App. I)	132
Protection of young trees (App. I)	130
Seams of cut turf (App. I)	134
Stones in bunkers (App. I)	134
Temporary obstructions (App. I)	135
Temporary power lines (App. I)	138
Water hazards; ball played provisionally (App. I)	127

Spikes. See Golf Shoe Spikes

Stableford Competitions

Breach of Rule with maximum penalty (Rule 32-1 Note 1)	115
Disqualification penalties (Rule 32-2)	116

Recording scores (Rule 32-1b)	115
Scoring (Rule 32-1b)	115
Undue delay and slow play (Rule 32-1 Note 2)	116
Stakes Used to Define	
Ground under repair (Def.)	34
Lateral water hazards (Def.)	35
Out of bounds (Def.)	39
Water hazards (Def.)	42
Stance (Def.) See also Stroke	41
Abnormal stance, interference	
By abnormal ground condition (Rule 25-1b Exception)	100
By immovable obstruction (Rule 24-2b Exception)	97
Astride or touching line of putt (Rule 16-1e)	78
Building (Rule 13-3)	71
Fairly taking (Rule 13-2)	71
Interference	
By abnormal ground condition (Rule 25-1a)	99
By immovable obstruction (Rule 24-2a)	96
Local rule, denying relief from interference with (Rule 25-1a)	99
Out of bounds (definition of out of bounds)	39
Outside teeing ground (Rule 11-1)	67
Stipulated Round (Def.)	41
Clubs	
Damaged (Rule 4-3)	50
Playing characteristics changed (Rule 4-2a)	50
Extending to settle a tie in match play (Rule 2-3)	46
Maximum clubs allowed (Rule 4-4a)	52
Walking during, condition of competition (App. I)	146
Striking Ball	
Fairly (Rule 14-1)	73
More than once (Rule 14-4)	74
Stroke (Def.) See also Stance	41
Assistance	
Artificial devices, unusual equipment and equipment used in unusual manner (Rule 14-3)	73
Physical assistance (Rule 14-2)	73
Ball damaged as a result of (Rule 5-3)	53
Cancelling (Rule 10-1c)	65
Conceding (Rule 2-4)	46
From outside teeing ground (Rule 11-4)	68
Playing from where previous stroke played (Rule 20-5)	91
Safety considerations (Etiquette)	26
Striking ball more than once (Rule 14-4)	74

With provisional ball (Rule 27-2b)	106
With wrong ball	
Best-ball or four-ball match play (Rule 30-3c)	110
Four-ball stroke play (Rule 31-5)	112
Match play (Rule 15-3a)	76
Stroke play (Rule 15-3b)	77
Stroke and Distance Penalty	
Ball lost (Rule 27-1)	105
Ball out of bounds (Rule 27-1)	105
Ball unplayable (Rule 28a)	108
Stroke Play. See also Four-Ball Stroke Play; Penalties; Scores	
Combining with match play (Rule 33-1)	117
Description of (Rule 3-1)	47
Doubt as to procedure (Rule 3-3a)	47
Failure to hole out (Rule 3-2)	47
Groups	
Changing (Rule 6-3b)	55
Committee to arrange (Rule 33-3)	119
Handicap (Rule 6-2b)	55
Information as to strokes taken (Rule 9-3)	64
New holes (Rule 33-2b, App. I)	118, 146
Order of play (Rules 10-2a, 10-2c, 29-3)	65, 66, 109
Penalties	
Agreement to waive (Rule 1-3)	45
General penalty (Rule 3-5)	48
Reporting to marker (Rule 9-3)	64
Time limit on imposition (Rule 34-1b)	120
Playing out of turn (Rule 10-2c)	66
Refusal to comply with rules (Rule 3-4)	48
Second ball played (Rule 3-3)	47
Slow play, modification of penalty (Rule 6-7)	57
Winner (Rule 3-1)	47
Suspension of Play	
Committee decision (Rule 33-2d)	118
Condition requiring immediate discontinuance (App. I)	144
Procedure for players (Rule 6-8b)	59
Tee and Teeing (Def.). See also Teeing Ground	
Ball falling off (Rule 11-3)	67
Methods of teeing (Rule 11-1)	67
Use of non-conforming tee (Rule 11-1)	67
Tee Markers	
Status of (Rule 11-2)	67

Teeing Ground (Def.) See also Honour	42
Avoiding damage (Etiquette)	28
Dew, frost or water; removal of (Rule 13-2)	71
Holing out with ball played from tee (Rule 15-1)	76
Irregularities of surface, creating or removing (Rule 13-2)	71
Making claim before playing from next (Rule 2-5)	46
Order of play	
Match play (Rule 10-1a)	65
Stroke play (Rule 10-2a)	65
Threesome or foursome (Rule 29-1)	108
Playing outside (Rule 11-4)	68
Playing provisional or second ball from (Rule 10-3)	66
Practice on or near	
Before or between rounds (Rule 7-1b)	61
During round (Rule 7-2)	61
Previous stroke played from (Rule 20-5)	91
Standing outside to play ball within (Rule 11-1)	67
Teeing ball (Rule 11-1)	67
Wrong teeing ground (Rule 11-5)	68
Three-Ball Matches (Def. of forms of match play)	33
Ball accidentally deflected or stopped by opponent (Rule 30-2b)	109
Ball at rest moved by opponent (Rule 30-2a)	109
Threesome (Def. of forms of match play)	33
Order of play (Rule 29-1)	108
Through the Green (Def.)	42
Aeration holes (App. I)	133
Ball moved after loose impediment touched (Rule 23-1)	94
Nearest point of relief (Rules 24-2, 25-1)	96, 99
Previous stroke played from (Rule 20-5)	91
Ties	
Committee responsibilities (Rule 33-6)	119
Extending stipulated round to settle, match play (Rule 2-3)	46
Recommendation for settling; options (App. I)	147
Time of Starting	
Committee responsibilities (Rule 33-3, App. I)	119, 143
Condition modifying penalty (Rule 6-3 Note, App. I)	55, 143
Player responsibilities (Rule 6-3a)	55
Touching Ball. See under Ball	
Transportation	
Prohibition regarding uses, condition of competition (App. I)	146

Turf

Cut, placed in position (Rule 13-2)	71
Seams of cut turf, relief by local rule (App. I)	134
Stacked to create bunker face (definition of bunker)	31

Undue Delay

Penalty (Rule 6-7)	58
--------------------	----

Unplayable Ball

Damaged, unfit for play (Rule 5-3)	53
Relief (Rule 28)	107

Unplayable Course

Committee decision (Rule 33-2d)	118
---------------------------------	-----

Water Hazards (Def.) See under Hazards 35**Winter Rules**

Committee decision on (App. I)	125
--------------------------------	-----

Wrong Ball (Def.) 43

Four-ball

Match play (Rule 30-3c)	110
Stroke play (Rule 31-5)	112

Strokes with

In match play (Rule 15-3a)	76
In stroke play (Rule 15-3b)	77

Time spent in playing, definition of lost ball	37
--	----

Wrong Information

As to strokes taken in match play (Rule 9-2)	63
Time limit for claim (Rules 2-5, 34-1)	46, 120

Wrong Place

Ball played from

In match play (Rule 20-7b)	92
In stroke play (Rule 20-7c)	92
General (Rule 20-7a)	91

Lifting ball dropped or placed at (Rule 20-6)	91
---	----

Wrong Putting Green (Def.) 43

Nearest point of relief, definition of	38
Relief (Rule 25-3)	102

Wrong Score

For hole (Rule 6-6d)	57
----------------------	----

Young Trees

Protection of, local rule (App. I)	126, 130
------------------------------------	----------



The activities of The R&A through all its areas of responsibility are detailed on www.randa.org. Keep up-to-date with the latest news of rules, championships, golf development and course management and discover the history and the facts and figures behind The R&A's worldwide role.

www.randa.org



The Open Championship website at www.opengolf.com not only covers the four rounds of the championship in words, pictures, video and statistics, it also runs year-round with an archive of past results, a wealth of information and regularly updated news.

www.opengolf.com

OYSTER PERPETUAL
LADY-DATEJUST



ROLEX.COM

ROLEX



R&A

Play the ball as it lies
Play the course as you find it
And if you can't do either,
do what is fair
But to do what is fair,
you need to know the
Rules of Golf



ROLEX

The R&A

St Andrews, Fife
Scotland KY16 9JD

Tel: +44 (0) 1334 460000

Fax: +44 (0) 1334 460001

www.randa.org